

2 MP

3 MP

5 MP

Up to 10-Year Warranty

Alta H6SL cameras

Combine versatility and high performance

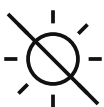


Proactively boost safety and security with the analytics-enabled Avigilon H6SL camera line for Alta Video. Available in a dome or bullet form factor, the cloud-native Alta H6SL line combines versatility and high performance for indoor and outdoor use. With high dynamic range, IR options and up to 5 MP resolution, you get crisp, clear images in even the most challenging lighting conditions. Intelligent analytics with real-time alerts help you react and respond faster to critical events and the cloud-native Alta Video provides access to video at any time and from any location.



React and Respond Faster with AI

Gain security preparedness and act quicker with intelligent analytics that alert you in real-time of critical events. The Alta H6SL notifies you of people, vehicles or anomalies to help you identify potential threats.



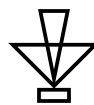
See Clearly in All Light Conditions

With High Dynamic Range, the Alta H6SL Dome can easily handle high-contrast scenes, and IR illumination captures details in low-light conditions so you can see clearly in all environments.



Trusted and Secure

With North American Avigilon manufacturing you can trust and security in the camera and the cloud, rest assured that your security system is protected.



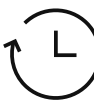
Options for Every Deployment

With a variety of storage and resolution configurations and wide and telephoto lens options on the H6SL Bullet, there's a cloud-native Alta H6SL to meet all your deployment needs.



Suitable for Tough Environments

All H6SL cameras are IK10-rated for impact resistance. All outdoor models are IP66/IP67 and NEMA Type 4X rated for water, windblown dust and a degree of corrosion.



24/7 Awareness from Anywhere

Securely access video anywhere with a cloud-native platform that offers easy-to-use viewing and management via a browser or on-the-go visibility from a powerful mobile app.

To learn more, visit avigilon.com/security-cameras/h6sl-dome and avigilon.com/security-cameras/h6sl-bullet

Specifications

IMAGE PERFORMANCE		2 MP	3 MP	5 MP
Image sensor		1/2.8" progressive scan CMOS	1/2.8" progressive scan CMOS	1/2.8" progressive scan CMOS
Imaging area (H x V)		5.57mm x 3.13mm 0.219in x 0.123in	5.18mm x 3.89mm 0.204in x 0.153in	5.18mm x 3.89mm 0.204in x 0.153in
Aspect ratio		16:9	4:3	4:3
Dynamic range	HDR off	83dB	83dB	83dB
	HDR on	126dB	130dB	130dB
3D Noise reduction filter		Supported	Supported	Supported
Max. frame rate		30fps	30fps	30fps
Streaming resolutions and bitrates: (H x V)	Maximum	1080p (1920x1080) 15fps @ 1.5Mbps	2048x1536 15fps @ 3Mbps	2592x1944 15fps @ 3Mbps
	High	720p (1280x720) 15fps @ 750Kbps	1440x1080 15fps @ 1.5Mbps	1440x1080 15fps @ 1.5Mbps
	Medium	480p (848x480) 15fps @ 500Kbps	720p (960x720) 15fps @ 750Kbps	720p (960x720) 15fps @ 750Kbps
	Low	360p (640x360) 10fps @ 200Kbps	640x480 10fps @ 400Kbps	640x480 10fps @ 400Kbps
Maximum concurrent streams per camera		6	6	6



LENS AND IR ILLUMINATION		3.4-10.5 MM (DOME/BULLET)	10.9-29 MM (BULLET ONLY)
IR illumination Max. distance (high power 850 nm LEDs)	Dome	30m (100ft), full tele 20m (65ft), full wide	N/A
	Bullet 2MP	50m (164ft), full tele 30m (100ft), full wide	N/A
	Bullet 3MP/5MP	40m (131ft), full tele 20m (65ft), full wide	70m (230ft), full tele 30m (100ft), full wide
Minimum illumination (at 33ms shutter speed)	2MP	With IR: 0 lux in monochrome mode Without IR: 0.01 lux in color mode; 0.005 lux in monochrome mode	N/A
	3MP/5MP	With IR: 0 lux in monochrome mode Without IR: 0.04 lux in color mode 0.02 lux in monochrome mode	With IR: 0 lux in monochrome mode Without IR: 0.04 lux in color mode 0.02 lux in monochrome mode
Horizontal angle of view	2MP	101° - 31°	N/A
	3MP/5MP	95°-28°	28°-10°
Vertical angle of view	2MP	53° - 17°	N/A
	3MP/5MP	69°-21°	21°-7°
Max aperture		F1.6	F1.7
Lens control		Remote Zoom and Focus, Autofocus, IR Cut Filter	Remote Zoom and Focus, Autofocus, IR Cut Filter

IMAGE CONTROL	
Image Compression Method	H.264, Motion JPEG
Electronic shutter control	Automatic
Day/Night control	Automatic
Flicker control	50Hz, 60Hz
Iris control	P-Iris
White balance	Automatic
Image rotation	0°, 90°, 180°, 270° including Corridor Mode



NETWORK	
Network	100BASE-TX
Cabling Type	CAT5
Network	RJ45 Connector
ONVIF ¹	ONVIF® compliance Profile S, Profile T, Profile G, and Profile M (www.onvif.org)
Security	Password protection, HTTPS encryption
Protocol	IPv6, IPv4, HTTP, HTTPS, SOAP, DNS, NTP, RTSP, RTCP, RTP, TCP, UDP, IGMP, ICMP, DHCP, ARP, HSTS
Streaming Protocols	WebRTC, RTP/RTSP/UDP, RTP/RTSP/TCP, RTP/RTSP/HTTP/TCP, RTP/RTSP/HTTPS/TCP
Platform Compatibility	Avigilon Alta Aware, Avigilon Unity ACC ¹ , 3rd party VMS ¹

¹ Requires the camera to be running Avigilon Unity firmware.

AUXILIARY I/O	
Audio compression method	G.711 PCM 8 kHz, Opus
Audio Input/Output	Line level I/O
External I/O Terminals ²	Alarm In, Alarm Out
Microphone (Indoor Dome)	Optional Microphone accessory sold separately for Indoor Dome Camera only

² Not currently supported.

MECHANICAL (DOME)	SURFACE MOUNT	IN-CEILING MOUNT	PENDANT MOUNT
Dimensions	D 156mm × H 116 mm; D 6.1" × H 4.6"	D 174mm × H165 mm; D 6.9" × H 6.5"	D 156mm × H161 mm; D 6.2" × H 6.3"
Weight	0.81kg	0.80kg	1.07kg
Max. ceiling thickness	N/A	25 mm (1.0")	N/A
Dome bubble	Polycarbonate	Polycarbonate	Polycarbonate
Body	Polycarbonate	Polycarbonate	Polycarbonate
Housing	Polycarbonate	Polycarbonate	Polycarbonate
Finish	Plastic, injection molded, Pantone 427C	Plastic, injection molded, Pantone 427C	Plastic, injection molded, Pantone 427C
Adjustment range	360° pan, 30°–95° tilt (recommended), 8°–95° tilt (maximum), ±180° azimuth	360° pan, 30°–95° tilt (recommended), 8°–95° tilt (maximum), ±180° azimuth	360° pan, 30°–95° tilt (recommended), 8°–95° tilt (maximum), ±180° azimuth



MECHANICAL (BULLET) 3.4-10.5 MM AND 10.9-29 MM	
Dimensions (camera with junction box) (L x W x H)	296mm x 126mm x 106mm; 11.7" x 5.0" x 4.2"
Weight	1.31kg (1.78kg with junction box)
Body	Aluminum
Housing	Aluminum
Finish	Powder coat, close to Pantone 427C
Adjustment Range	±175° pan, ±90° tilt, ±175° azimuth

ELECTRICAL		
Power source		PoE: IEEE 802.3af Class 3 compliant, 12VDC Aux (Available on Bullet only)
IR Illuminator Behaviour	Dome	IR illuminator turns off if the temperature is 60°C (140°F) or higher. The illuminator operates at 50% power if the temperature is between 40°C (104°F) and 52 °C (117°F). Hysteresis: 2°C (3.6°F).
	Bullet	IR illuminator turns off if the temperature is 60°C (140°F) or higher.
RTC Battery Backup		3V manganese lithium
PoE	Dome	10W max (8W with no IR or IR disabled)
	Bullet	13W max
Memory		1GB RAM, 512MB Flash

ENVIRONMENTAL	INDOOR DOME	OUTDOOR DOME	BULLET
Operating Temperature	-10°C to +60°C (14°F to 140°F)	-40°C to +60°C (-40°F to 140°F)	-40°C to +60°C (-40°F to 140°F)
Storage Temperature	-10°C to +70°C (14°F to 158°F)	-10°C to +70°C (14°F to 158°F)	-10°C to +70°C (14°F to 158°F)
Absolute Maximum Temperature	74°C (165°F) per NEMA TS2 (Temp.) para 2.2.7.2 - 2.2.7.7	74°C (165°F) per NEMA TS2 (Temp.) para 2.2.7.2 - 2.2.7.7	74°C (165°F) per NEMA TS2 (Temp.) para 2.2.7.2 - 2.2.7.7
Humidity	0 - 95% non-condensing	0 - 95% non-condensing	0 - 95% non-condensing



CERTIFICATIONS	INDOOR DOME	OUTDOOR DOME	BULLET
Certifications/Approvals	UL, cUL, CE, UKCA, ROHS, RCM, NOM, KC, BIS	UL, cUL, CE, UKCA, ROHS, RCM, NOM, KC, BIS	UL, cUL, CE, UKCA, ROHS, RCM, NOM, KC, BIS
Safety	UL/CSA/EN/IEC 62368-1, IEC 62471	UL/CSA/EN/IEC 62368-1, IEC 62471	UL/CSA/EN/IEC 62368-1, IEC 62471
Environmental	IEC/EN 62262 Impact (IK 10), IEC 60529 IP52 rating	IEC/EN 62262 (IK 10), IEC 60529 IP66, IP67 rating, Type 4X, IEC 60068-2-1, IEC 60068-2-2, IEC 60068-2-6, IEC 60068-2-14, IEC 60068-2-27	IEC/EN 62262 (IK 10), IEC 60529 IP66, IP67 rating, Type 4X, IEC 60068-2-1, IEC 60068-2-2, IEC 60068-2-6, IEC 60068-2-14, IEC 60068-2-27
Electromagnetic Emissions	FCC Part 15 Subpart B (Class B), IC ICES-003 (Class B), EN 55032 (Class B), EN 61000-6-3, EN 61000-3-2, EN 61000-3-3	FCC Part 15 Subpart B (Class B), IC ICES-003 (Class B), EN 55032 (Class B), EN 61000-6-3, EN 61000-3-2, EN 61000-3-3	FCC Part 15 Subpart B (Class B), IC ICES-003 (Class B), EN 55032 (Class B), EN 61000-6-3, EN 61000-3-2, EN 61000-3-3
Electromagnetic Immunity	EN 55035, EN 61000-6-1, EN 50130-4, EN 50121-4	EN 55035, EN 61000-6-1, EN 50130-4, EN 50121-4	EN 55035, EN 61000-6-1, EN 50130-4, EN 50121-4
Warranty	Up to 10-year warranty with Active Alta Video License	Up to 10-year warranty with Active Alta Video License	Up to 10-year warranty with Active Alta Video License



Analytics specifications

DETECTED ATTRIBUTES	
Object Attributes	Any object (Vehicle and person)
	Vehicle Sub-types: <ul style="list-style-type: none">• Small/Medium Vehicles (sedan, SUV, pickup truck, etc.)• Large Vehicles (bus, truck)• Two-wheeled Vehicles (bicycle, motorcycle)• Unclassified Vehicles Vehicle color: <ul style="list-style-type: none">• Only this color• Ignore this color License plate ¹ : <ul style="list-style-type: none">• Any plate• Exact match• Matches group• Starts with• Ends with• Includes• Exclude <groups>
	Person: <ul style="list-style-type: none">• Fall detection (Search only)• Accessories:<ul style="list-style-type: none">• With/Without bag• Clothing color:<ul style="list-style-type: none">• Only this color• Ignore this color• Upper body clothing color• Lower body clothing color Face: ² <ul style="list-style-type: none">• All faces• Select watchlists

¹ Requires additional license.

² Requires additional license. Check national and local legislation for guidance on the use of face search and face watchlists.



SUPPORTED AUDIO EVENTS

Audio Events ³	<ul style="list-style-type: none"> • Glass breaking • Loud noise • Gun shot • Screaming • Smoke alarm • Car alarm • Ultrasound panic alarm • Dog bark • Tire screeching
---------------------------	----------------------------------------------------------------------------------------------------------------------------------------------------------------------------------------------------------------------------------------------------------------

³ Requires cameras with internal or connected microphone.

SUPPORTED ANALYTIC RULES

Access Control ⁴	When integrated with suitable access control systems, create rules for access events.
Anomaly	<p>Rule triggered on detected anomalies based on:</p> <ul style="list-style-type: none"> • Unusual time of day • Unusual location • Unusual velocity
Appearance	<p>Any object</p> <p>Vehicle:</p> <ul style="list-style-type: none"> • Type • Color • License plate⁵: <ul style="list-style-type: none"> • Any plate • Exact match • Matches groups • Starts with • Ends with • Includes • Use an image <p>Person:</p> <ul style="list-style-type: none"> • Accessories: With/without Bag • Clothing color • Use an image <p>Face⁶:</p> <ul style="list-style-type: none"> • All faces • Select watchlists
Counts	Rule triggered when the count of objects of the selected type either exceeds or is less than the selected threshold.



SUPPORTED ANALYTIC RULES

Line crossing	<p>Crossing a virtual line set up for:</p> <p>Vehicle:</p> <ul style="list-style-type: none"> • Type • Color • License plate: <ul style="list-style-type: none"> • Any plate • Exact match • Matches groups • Starts with • Ends with • Includes • Use an image <p>Person:</p> <ul style="list-style-type: none"> • Accessories: With/without Bag • Clothing color • Use an image <p>Face:</p> <ul style="list-style-type: none"> • All faces • Select watchlists
Loitering	Rule triggered when an object of the selected type and attributes loiters in the selected area for the selected period of time.
Point-of-sale ⁷	Search/rule set up based on text field and price.
Sound	Rule triggered when sounds of specified types are detected.
System (Camera issues)	<ul style="list-style-type: none"> • Any camera <ul style="list-style-type: none"> • Camera connection failure (timeout after minutes) • Unmet retention period (days) • Alta camera <ul style="list-style-type: none"> • SD card failure • Analytics failure • Camera in recovery mode • Camera not storing • Image health



SUPPORTED ANALYTIC RULES

System (System issues)

- Internal appliance issues:
 - Cloud Connector connection issues
 - Software issues
 - Disk failures
 - Disk missing
 - Disk space
 - Audi log storage limit (%)
- External connection issues:
 - Cloud connection
 - Access control connection

⁴ License not required for Alta Access integration

⁵ Requires additional license.

⁶ Requires additional license. Check national and local legislation for guidance on the use of face search and face watchlists.

^{7,8} Requires additional license and integration.

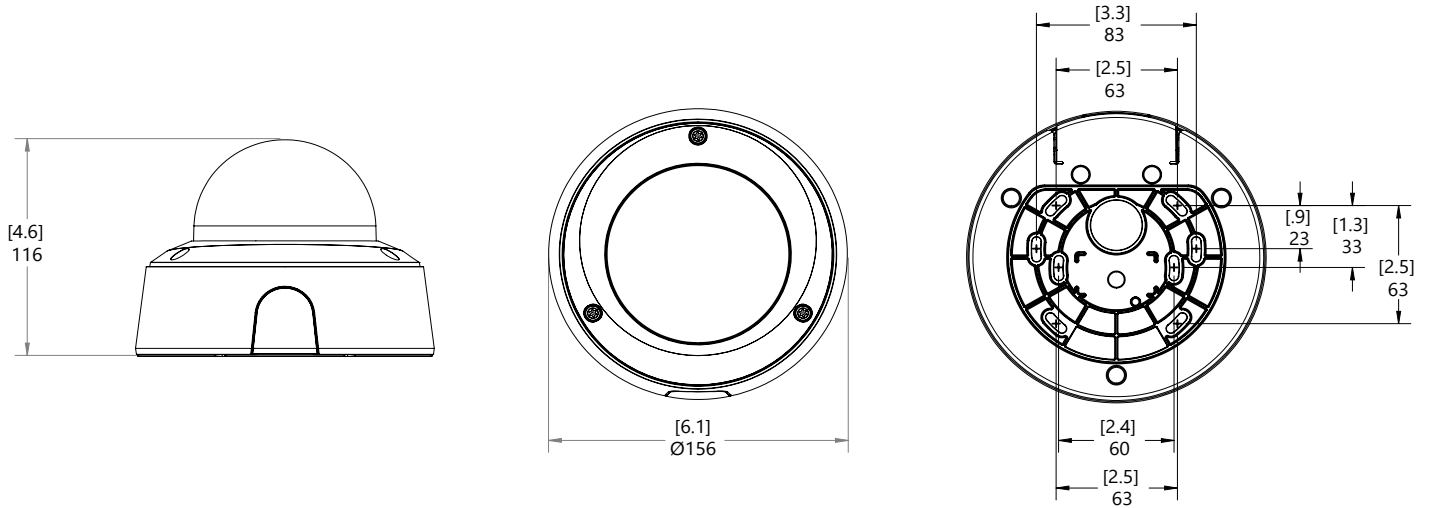


Outline Dimensions

[X.X]	INCHES
X	MM

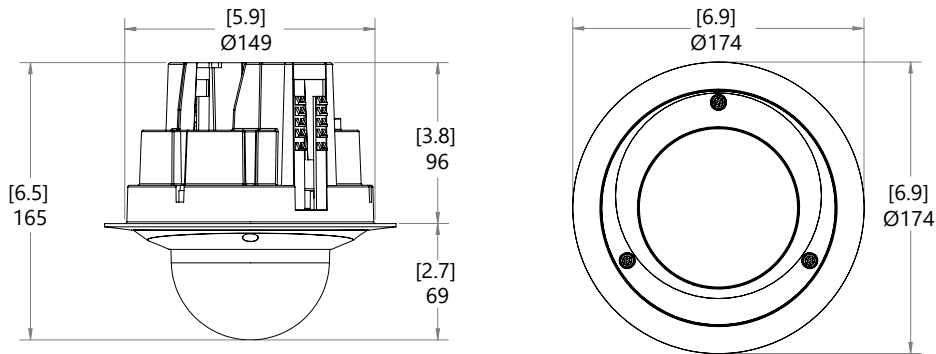
Dome Camera with Surface Mount

(H6SL Dome Camera + Provided Surface Mount)



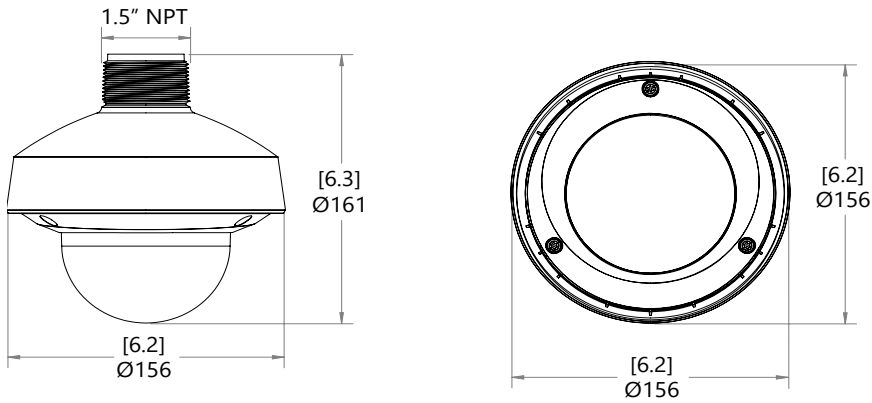
Dome Camera with In-ceiling Mount

(H6SL Dome Camera + SLSPCIL-1001)



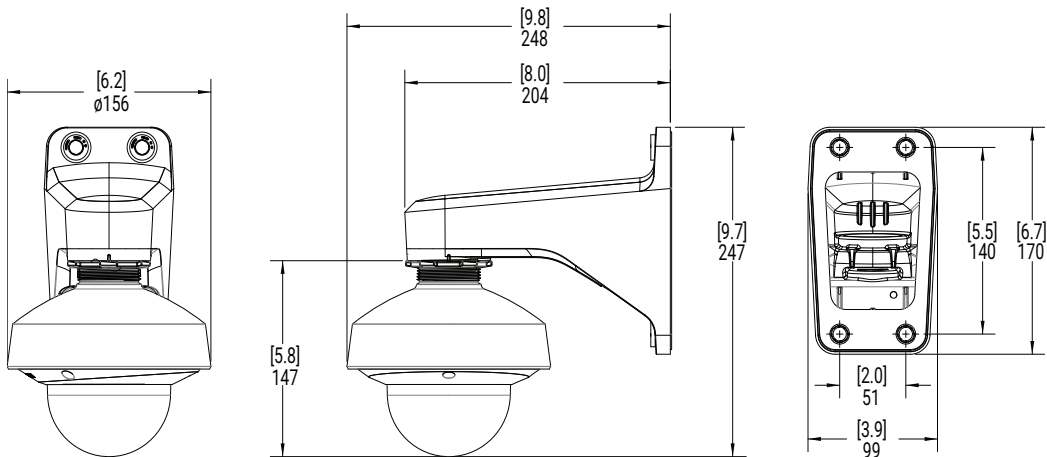
Dome Camera with NPT Adapter

(H6SL Dome Camera + H6SL-MT-NPTA1)

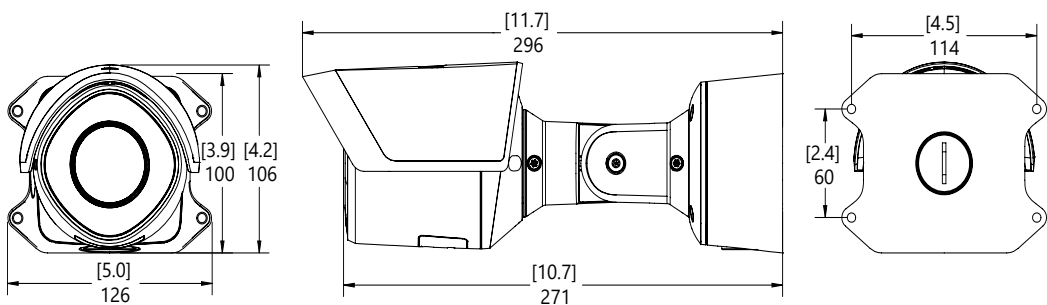


Dome Camera with NPT Adapter and Pendant Wall Mount

(H6SL Dome Camera + H6SL-MT-NPTA1 + WLMT-1021)

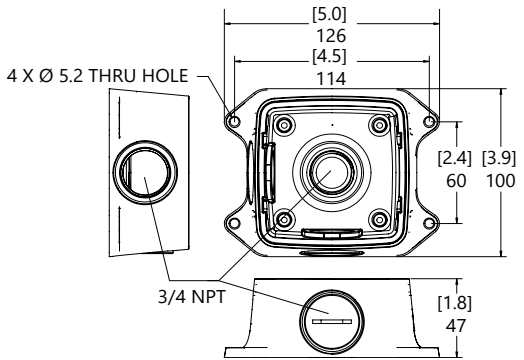


Bullet Camera



Bullet Junction Box

(Provided With Camera)



Ordering Information

Dome Camera

MODEL NUMBER	MP	LENS	IR	IP66/IP67, TYPE4X	DAYS OF STORAGE
2.0C-H6SL-D1-30	2.0	3.4-10.5mm			30 Days
2.0C-H6SL-D1-60	2.0	3.4-10.5mm			60 Days
2.0C-H6SL-D1-120	2.0	3.4-10.5mm			120 Days
2.0C-H6SL-D1-365	2.0	3.4-10.5mm			365 Days
2.0C-H6SL-D1-IR-30	2.0	3.4-10.5mm	✓		30 Days
2.0C-H6SL-D1-IR-60	2.0	3.4-10.5mm	✓		60 Days
2.0C-H6SL-D1-IR-120	2.0	3.4-10.5mm	✓		120 Days
2.0C-H6SL-D1-IR-365	2.0	3.4-10.5mm	✓		365 Days
2.0C-H6SL-DO1-IR-30	2.0	3.4-10.5mm	✓	✓	30 Days
2.0C-H6SL-DO1-IR-60	2.0	3.4-10.5mm	✓	✓	60 Days
2.0C-H6SL-DO1-IR-120	2.0	3.4-10.5mm	✓	✓	120 Days
2.0C-H6SL-DO1-IR-365	2.0	3.4-10.5mm	✓	✓	365 Days
3.0C-H6SL-D1-30	3.0	3.4-10.5mm			30 Days
3.0C-H6SL-D1-60	3.0	3.4-10.5mm			60 Days
3.0C-H6SL-D1-120	3.0	3.4-10.5mm			120 Days
3.0C-H6SL-D1-IR-30	3.0	3.4-10.5mm	✓		30 Days
3.0C-H6SL-D1-IR-60	3.0	3.4-10.5mm	✓		60 Days
3.0C-H6SL-D1-IR-120	3.0	3.4-10.5mm	✓		120 Days
3.0C-H6SL-DO1-IR-30	3.0	3.4-10.5mm	✓	✓	30 Days
3.0C-H6SL-DO1-IR-60	3.0	3.4-10.5mm	✓	✓	60 Days
3.0C-H6SL-DO1-IR-120	3.0	3.4-10.5mm	✓	✓	120 Days
5.0C-H6SL-D1-30	5.0	3.4-10.5mm			30 Days



MODEL NUMBER	MP	LENS	IR	IP66/IP67, TYPE4X	DAYS OF STORAGE
5.0C-H6SL-D1-60	5.0	3.4-10.5mm			60 Days
5.0C-H6SL-D1-120	5.0	3.4-10.5mm			120 Days
5.0C-H6SL-D1-IR-30	5.0	3.4-10.5mm	✓		30 Days
5.0C-H6SL-D1-IR-60	5.0	3.4-10.5mm	✓		60 Days
5.0C-H6SL-D1-IR-120	5.0	3.4-10.5mm	✓		120 Days
5.0C-H6SL-DO1-IR-30	5.0	3.4-10.5mm	✓	✓	30 Days
5.0C-H6SL-DO1-IR-60	5.0	3.4-10.5mm	✓	✓	60 Days
5.0C-H6SL-DO1-IR-120	5.0	3.4-10.5mm	✓	✓	120 Days

Bullet Camera

MODEL NUMBER	MP	LENS	IR	IP66/IP67, TYPE4X	DAYS OF STORAGE
2.0C-H6SL-B01-IR-30	2.0	3.4-10.5mm	✓	✓	30 Days
2.0C-H6SL-B01-IR-60	2.0	3.4-10.5mm	✓	✓	60 Days
2.0C-H6SL-B01-IR-120	2.0	3.4-10.5mm	✓	✓	120 Days
2.0C-H6SL-B01-IR-365	2.0	3.4-10.5mm	✓	✓	365 Days
3.0C-H6SL-B01-IR-30	3.0	3.4-10.5mm	✓	✓	30 Days
3.0C-H6SL-B01-IR-60	3.0	3.4-10.5mm	✓	✓	60 Days
3.0C-H6SL-B01-IR-120	3.0	3.4-10.5mm	✓	✓	120 Days
3.0C-H6SL-B02-IR-30	3.0	10.9-29mm	✓	✓	30 Days
3.0C-H6SL-B02-IR-60	3.0	10.9-29mm	✓	✓	60 Days
3.0C-H6SL-B02-IR-120	3.0	10.9-29mm	✓	✓	120 Days
5.0C-H6SL-B01-IR-30	5.0	3.4-10.5mm	✓	✓	30 Days
5.0C-H6SL-B01-IR-60	5.0	3.4-10.5mm	✓	✓	60 Days
5.0C-H6SL-B01-IR-120	5.0	3.4-10.5mm	✓	✓	120 Days
5.0C-H6SL-B02-IR-30	5.0	10.9-29mm	✓	✓	30 Days
5.0C-H6SL-B02-IR-60	5.0	10.9-29mm	✓	✓	60 Days
5.0C-H6SL-B02-IR-120	5.0	10.9-29mm	✓	✓	120 Days



Accessories

PART NUMBER	DESCRIPTION
WLMT-1021	Wall Mount Arm for 1.5" NPT Pendant
PLMT-1001	Pole Mount Adapter for WLMT-1021 and H6SL Bullet Camera
CRNMT-1001	Corner Mount for WLMT-1021 and H6SL Bullet Camera
SLSPCIL-1001	In-ceiling mounting adapter for H6SL Dome Camera
H6SL-MT-NPTA1	Pendant NPT adapter for H6SL Dome Camera
DCLPNL-1001	Metal ceiling panel for suspended ceiling installations
H6SL-DO-SHLD1	Weathershield for H6SL Dome Camera
ACMICR-1001	Microphone accessory for Indoor H6SL Dome Camera
H6SL-DD-CLER1	Clear lower dome for H6SL Outdoor Dome Camera
H6SL-DD-SMOK1	Smoked lower dome for H6SL Outdoor Dome Camera
H6SL-DI-CLER1	Clear lower dome for H6SL Indoor Dome Camera
H6SL-DI-SMOK1	Smoked lower dome for H6SL Indoor Dome Camera
CNCVR-1001	Adapter 3/4 inch conduit for H6SL Dome Camera, 5-pack



Support

For product support, visit avigilon.com/support.

To learn more, visit: avigilon.com/security-cameras/h6sl-dome and avigilon.com/security-cameras/h6sl-bullet. For customer documentation, visit docs.avigilon.com/bundle/alta-video/page/Products/Cameras.htm.



Motorola Solutions, Inc. 500 West Monroe Street, Chicago, IL 60661 U.S.A. motorolasolutions.com

© 2026, Avigilon Corporation. All rights reserved. MOTOROLA, MOTO, MOTOROLA SOLUTIONS and the Stylized M Logo are trademarks or registered trademarks of Motorola Trademark Holdings, LLC and are used under license. All other trademarks are the property of their respective owners.

20260514-EN

Rev 6