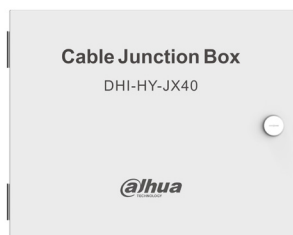


DHI-HY-JX40

Cable Junction Box



- Convenient for wire splitting and transferring
- Built-in 40 groups of built-in terminal blocks

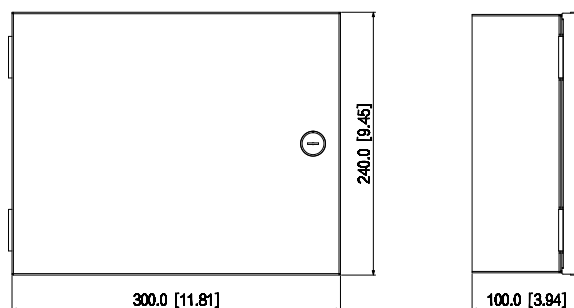
Scene

Ideal for scenarios that require fire control rooms, such as residential communities, office buildings, industrial parks, supermarkets and other large public buildings.

Technical Specification

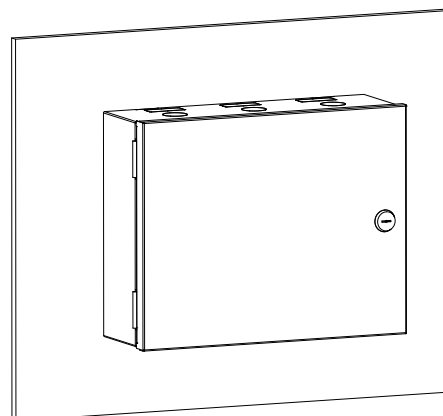
Model	DHI-HY-JX40
Material	Cold-rolled steel sheet
Dimensions	300 mm × 240 mm × 100 mm (11.81" × 9.45" × 3.94")
Color	White
Net Weight	3 kg (6.61 lb)
Gross Weight	3.6 kg (7.94 lb)
Packaging Method	10 pcs in each carton
Operating Temperature	-10 °C to +50 °C (+14 °F to +122 °F)
Operating Humidity	≤ 95% RH (no condensation)
Protection	IP20
Installation	Wall mount

Dimensions (mm[inch])



Installation

Wall Mount



Ordering Information

Type	Part Number	Description
Cable Junction Box	DHI-HY-JX40	Cable Junction Box