

# DH-HY-IF43DA-EX

## Point-type Infrared Flame Detector



- Strong anti-interference ability oriented to industries
- Multiple output interfaces: RS 485 and relay output
- Combine the power wire with the signal wire through two wire
- Window defogging and defrosting function
- Sensor optical path self-test algorithm

### System Overview

DH-HY-IF43DA-EX Point-type Infrared Flame Detector (hereinafter referred to as flame detector), using low-noise passive infrared ray and high-speed microprocessor, effectively distinguishes the true flame radiation from the interference sources through FFT processing algorithm and optical path self-test algorithm. With excellent anti-interference ability and long flame detection distance, the flame detector can be set with multiple levels of sensitivity and have excellent flameproof protective design.

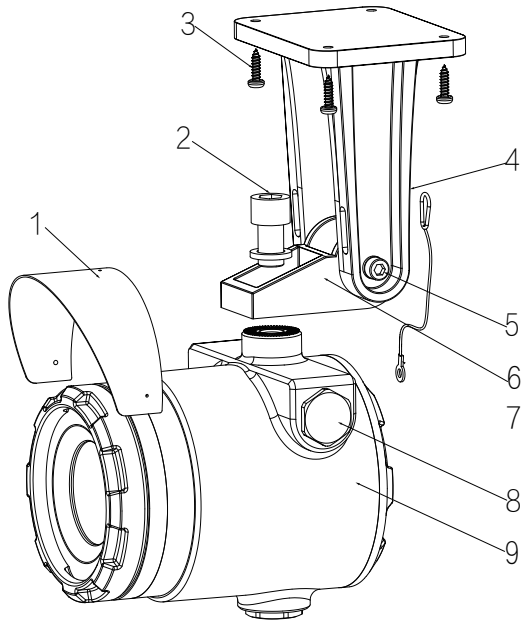
### Scene

It is suitable for oil depots, factories, tunnels, paint factories and other flammable and explosive industrial fields.

### Technical Specification

Type	3-waveband explosion-proof type
Spectrum Range	3.8 $\mu\text{m}$ ; 4.3 $\mu\text{m}$ ; 5.0 $\mu\text{m}$
Sensitivity	5-level settable 3-level by default, corresponding to I-level in GB 15631-2008
Response Time	< 10 s (alarm delay: 0–30 s settable)
Maximum Detection Distance	Ethanol: 45 m@0.3 m×0.3 m (147.64 ft@0.98 ft×0.98 ft) Heptane: 55 m@0.3 m×0.3 m (180.45 ft@0.98 ft×0.98 ft)
Working Voltage	DC24V (16V–28V)
Working Current	Monitoring current: < 70mA Alarm current: < 80mA Defrost: < 300mA
Indicator	Alarm: Red indicator steady on Fault: Red indicator flashes Monitoring: Green indicator steady on
Output Methods	RS485 Two-wire 4–20mA current-loop output Three sets of relay outputs: Fire relays, fault relays and auxiliary relays
Operation Environment	Working temperature: –25°C to +75°C (–13°F to +167°F) Relative humidity: ≤95% (RH), non-condensing (40°C ± 2°C) (104°F ± 35.6°F)
Dimensions	146 mm × 123 mm × 133 mm (5.75" × 4.84" × 5.24") 330 mm × 231 mm × 183 mm (12.99" × 9.09" × 7.20")(with package)
Weight	1.55 kg (3.42 lb) (without installation bracket)
Explosion-proof Mark	Exd II C T6 Gb/ExtDA21 IP66 T80°C
Standard	GB15631-2008; GB3836.1-2010; GB3836.2-2010; GBT 4208-2017; GB12476.1-2013
Installation	Ceiling-mounted installation or wall-mounted installation

Installation



Dimensions (mm/inch)

