

DHI-HY-C122

Conventional Manual Call Point



- Two-wire, polarity-free realizes convenient wiring
- Completes EMC test, it has strong anti-electromagnetic interference ability, high stability and reliability
- Adopts manual contact, easy to manually control
- Non-loosening screws on base terminal for easy installation
- Contacts material is highly acid-resistant and rust-resistant

System Overview

DHI-HY-C122 Conventional Manual Call Point is a mated product of the Conventional Fire Alarm Control Panel. Integrated with two-wire and polarity-free technology, it can send alarm signals to the panel after the button is pressed.

Functions

Manual control

When there is a fire alarm, manually press the contact, the alarm signal is sent to the control panel immediately.

Non-addressable

Without encoding, easy debugging and operating.

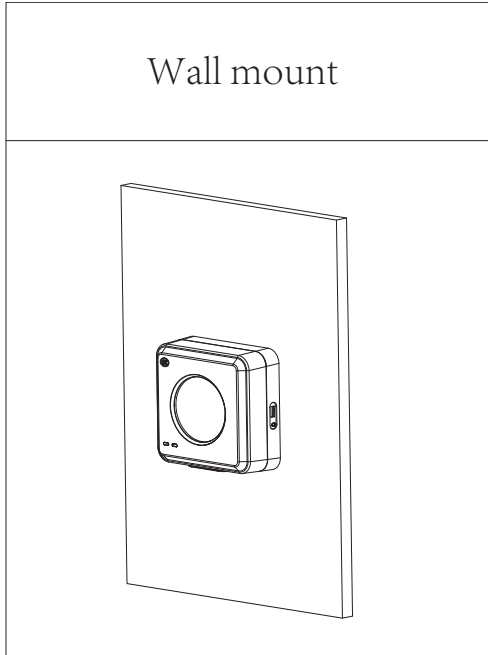
Scene

It is suitable for residential and industrial buildings such as hotels, shopping malls, hospitals, office buildings, schools, banks, libraries, factories, and warehouses.

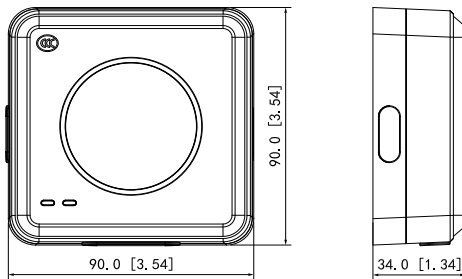
Technical Specification

Working Voltage	DC16V-DC28V
Current	Standby current: $\leq 200\mu\text{A}$ Alarm current: $\leq 260\mu\text{A}$
Alarm Mode	Visual alarm
Operating Temperature	-10°C to $+55^{\circ}\text{C}$ ($+14^{\circ}\text{F}$ to $+131^{\circ}\text{F}$)
Operating Humidity	$\leq 95\%$ RH (no condensation)
Dimensions (with base)	90 mm \times 90 mm \times 34 mm (3.54" \times 3.54" \times 1.34")
Weight (with base)	94.3 g (0.21 lb)
Installation	Wall Mount

Installation



Dimensions (mm/inch)



Ordering Information

Type	Part Number	Description
Conventional Manual Call Point	DHI-HY-C122	Conventional Manual Call Point