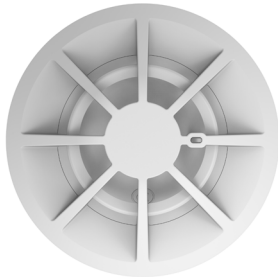


DHI-HY-1310

Addressable Heat Detector



- Convenient wiring: Two-wire, polarity-free
- Reliable communication: Built-in microprocessor, stable performance
- Ultra-low power consumption: Ultra-low monitoring current and alarm current
- Detection performance: Accurate temperature detection by sensitive sensor

System Overview

DHI-HY-1310 Addressable Heat Detector is a mated product of the Addressable Fire Alarm Control Panel. Integrated with non-polarity two wire and temperature sensor, this detector analyzes ambient temperature by intelligent algorithm to trigger alarms. When the temperature has reached the alarm threshold, the Addressable Fire Alarm Control Panel will confirm a fire alarm according to the received message sent from the detector, and the detector indicator will light simultaneously to indicate alarm.

Functions

Fast response

When the temperature reaches the alarm threshold, the detector reports fire alarm within 1 second.

Fire detection

When the temperature reaches differential or constant alarm threshold, temperature alarm is triggered, suitable for different situation.

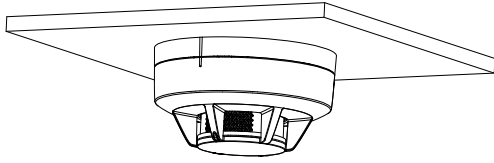
Scene

It is suitable for such industrial and civil buildings that have a great deal of heat when fire takes place, such as kitchens, boiler rooms, generator rooms, drying workshops and smoking rooms and it is not suitable for places with a great deal of smoke but little heat.

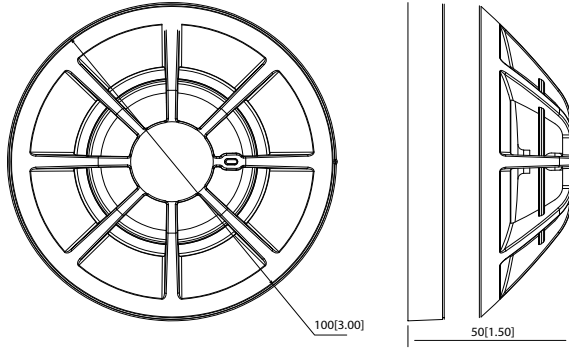
Technical Specification

Power	24V DC
Current	Monitoring current: $\leq 120\mu\text{A}$ Maximum operating current: $\leq 170\mu\text{A}$
Indicator	Red Polling: Flash 6 seconds Alarm: Remain lit Fault: Flash 2 seconds
Product Type	A2R
Alarm Threshold	54°C to 62°C (129°F to 144°F)
Wiring	Two-wire, polarity-free
Addressing Method	Electrical encoder
Address Range	1–254
Communication Distance	$\leq 1500\text{ m}$ (4921.26 ft)
Operating Temperature	-10°C to +50°C (+14°F to +122°F)
Storage Temperature	-20°C to +65°C (-4°F to +149°F)
Operating Humidity	$\leq 95\% \text{ RH}$ (no condensation)
Color	White
Dimensions (with base)	$\Phi 100\text{ mm} \times 50\text{ mm}$ ($\Phi 3.00'' \times 1.50''$)
Weight (with base)	81 g (0.18 lb)
Compliance Standard	EN54-5

Installation



Dimensions (mm/inch)



Ordering Information

Type	Part Number	Description
Addressable Heat Detector	DHI-HY-1310	Addressable Heat Detector
Accessories	DHI-HY-TCDZ	Detector Base