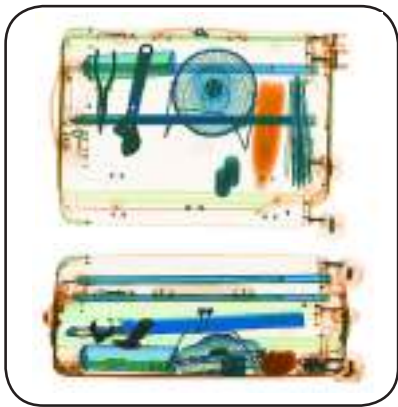


# Dual View X-ray Inspection System ZKX6550D



## Highlights

- Dual-view technology
- Widely usable for carry-on baggage
- Identify overlapping items easily

## Standard

- Fingerprint console board
- Dual monitor operation desk
- Video surveillance

## Optional

- Face recognition
- Auto-start function
- Bi-directional scanning
- Rat expelling function

## Introduction

ZKX6550D is a dual view x-ray security inspection equipment. ZKX6550D could display horizontal and vertical images by two independent generators, and could detect organic, inorganic or mixtures quickly according to the effective atomic number of objects those are been detected. ZKX6550D could identify overlapping items and contraband easily and precisely.

ZKX6550D X-ray inspection system increases the operator's ability to identify potential threats; the device is designed to scan carry-on baggage. ZKX6550D uses reliable high quality dual energy X-ray generator and the superb image algorithm.

ZKX6550D has innovative biometric identify function for operators, improving the security of system and preventing operator from forgetting password.

With ergonomic modern design, ZKX6550D could help operators to identify suspicious items fast and accurately.

## Specifications

<b>Tunnel Size</b>	W655mm × H505mm
<b>Speed</b>	0.20 m/s
<b>Height of Transmission Belt</b>	800 mm
<b>Maximum Load</b>	≤180 kg (Adequate distribution)
<b>Wire Resolution</b>	Bottom Generator: 40AWG\Side Generator: 40AWG
<b>Space Definition</b>	Horizontal Φ1.0mm \ Vertical Φ2.0mm
<b>Penetrate Definition</b>	Bottom Generator: 32AWG\Side Generator:32AWG
<b>Penetration</b>	Bottom Generator: 38mm\Side Generator: 38mm
<b>Monitor</b>	21.5 inch LED x 2
<b>System Function</b>	High density alert, Explosive/ Drug auxiliary detect, TIP, Luggage counter, date/time display, User management, Training.
<b>Film Safety</b>	ASA/ISO1600 standard of film safety

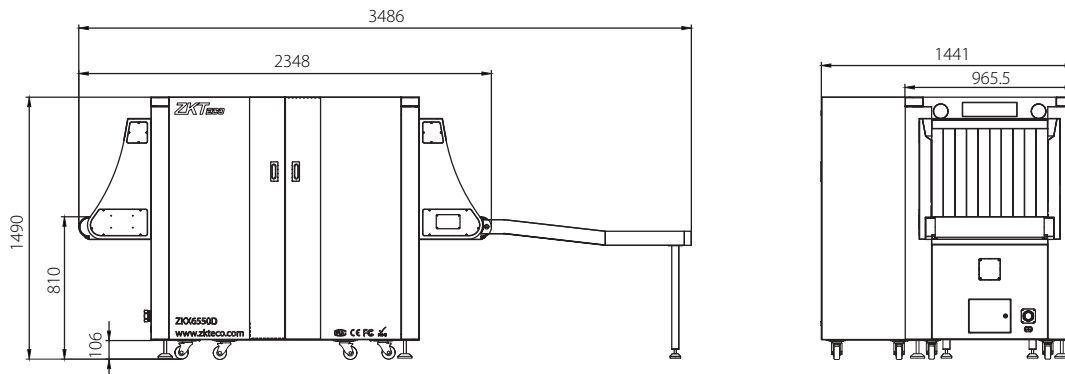
## X-ray System

<b>Tube Voltage</b>	160Kv
<b>Cooling</b>	Seal oil cooling / 100%
<b>Single Inspection Dosage Rate</b>	≤1.0 μ Gy
<b>Radiation Leak Dosage</b>	0.1 μ Gy/h (5cm from the surface)

## Installation Specification

<b>Package Size</b>	L2500mm× W1600mm× H1550mm
<b>Console Desk Size</b>	L1320mm × W900mm × H1320mm
<b>Package Weight</b>	1000KG+100KG (Console desk)
<b>Power Consumption</b>	1.5 kVA
<b>Noise</b>	55 dB(A)

## Dimension



More details

ZKTECO CO.,LTD.  
www.zkteco.com  
E-mail: sales@zkteco.com

© Copyright 2017. ZKTECO CO., LTD. ZKTeco Logo is a registered trademark of ZKTECO CO., LTD. or a related company. All other products and company names mentioned are used for identification purposes only and may be the trademarks of their respective owners. All specifications are subject to change without notice. All rights reserved.

