

5MP HD Fixed IR Mini Bullet Analog Camera

UAC-B115-F28(40)



Introduction

UAC-B115-F28(40) is a 5MP HD Fixed IR Mini Bullet Analog Camera with a high-performance 1/2.7-inch CMOS sensor. It supports TVI/AHD/CVI/CVBS, which effectively enhances product adaptability and diversity of networking solutions. With SYV-75-3 or other coaxial cable types the camera can achieve low-cost, long-distance, anti-interference, and low delay mega-pixel HD video transmission. The camera supports IR cut filter and provides color images at daytime and black/white images at night.

Features

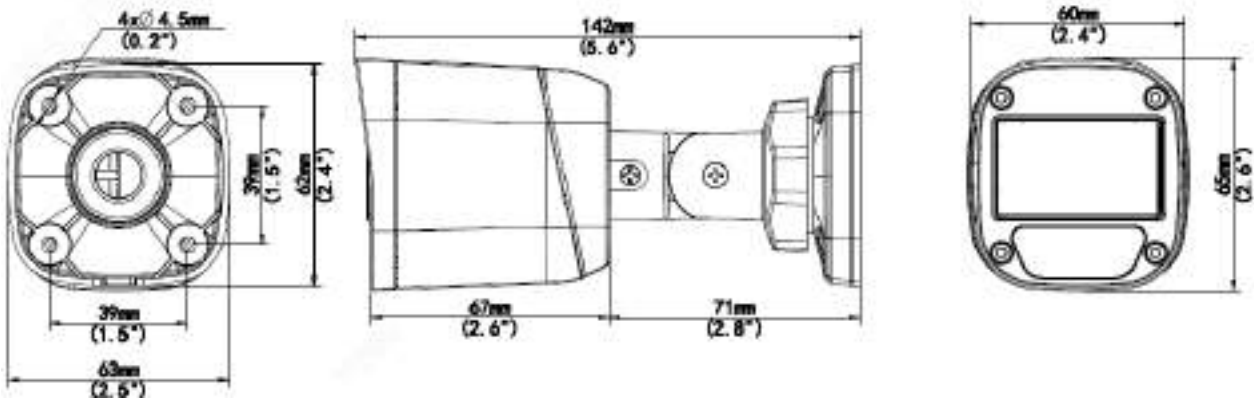
- 5MP high quality image
- TVI/AHD/CVI/CVBS
- IR-cut filter with auto switch (ICR)
- Supports 180° horizontal flip, 180° vertical flip
- OSD configuration menu, easy to operate
- IP67 waterproof and dustproof design, high reliability
- OSD configuration menu in 11 languages

Specifications

| Model | UAC-B115-F28 | UAC-B115-F40 |
|------------------------------|--|-----------------------------|
| Sensor | | |
| Pixel | 5MP | |
| Size | 1/2.7" | |
| Minimum illumination | 0.02lux(F2.0, AGC ON) 0 lux (IR on) | |
| Lens | | |
| Lens | 2.8mm | 4.0mm |
| Lens mount | M12 | |
| Angle of view | H: 102.2° V: 53.9° D: 124.8° | H: 82.9° V: 46.1° D: 100.0° |
| Illuminator | | |
| Illuminator | One IR illuminator | |
| Illumination distance | 20m | |
| Lifetime | ≥60,000 hours | |
| Video | | |
| Resolution | 5MP@25fps: 2880(H)×1620(V); 5MP@20fps: 2592(H)×1944(V); 5MP@12.5fps: 2592(H)×1944(V) 4MP: 2560(H)×1440(V) 1080P: 1920(H)×1080(V) | |
| Frame rate | TVI: 5MP@20fps, 5MP@12.5fps, 4MP@30fps, 4MP@25fps, 1080P@30fps, 1080P@25fps AHD: 5MP@20fps, 4MP@30fps, 4MP@25fps, 1080P@30fps, 1080P@25fps CVI: 5MP@25fps, 4MP@30fps, 4MP@25fps, 1080P@30fps, 1080P@25fps CVBS: PAL, NTSC | |
| Shutter time | PAL: 1/25s-1/50000s NTSC: 1/30s-1/50000s | |
| Image | | |
| Exposure mode | 4 modes: Global (default), BLC, HLC, DWDR | |
| Day/Night | 3 modes: Auto (default), Day, Night | |
| Digital noise reduction | 2D | |
| White balance | Two modes: Auto (default), Manual | |
| WDR | DWDR | |
| Smart IR | Support | |
| Flip | Supports 180° horizontal flip, 180° vertical flip. | |
| Interface | | |
| Power | 5.5mm power interface | |
| Video output | BNC, supports TVI/AHD/CVI/CVBS | |
| Operating environment | | |
| Temperature | -30°C to 60°C(-22°F to 140°F) | |
| Humidity | ≤95% (RH, non-condensing) | |
| Surge protection | 4KV | |
| Ingress protection | IP67 | |
| General | | |
| Power | DC12V (±25%), with reverse polarity protection and surge protection, Max 3.6W | |

| | |
|---------------|--|
| Mount | 3D bracket supplied, surface mount (default), optional backbox, pole mount bracket |
| Dimensions | 142mm*63mm*65mm (L*W*H) |
| Material | Plastic |
| Weight | 135g(0.30lb) |
| Certification | CB, CE, FCC |

Dimensions



UAC-B115-F28(40)

Accessories

TR-JB05-A-IN

Junction Box



TR-UP06-B-IN

Pole Mount



TR-UP06-C-IN

Pole Mount



TR-A01-IN

Waterproof joint



TR-UC08-C

Corner mount



PWR-DC1201A-UK

Wall Plug-in UK Power Adapter



PWR-DC1201A-US

Wall Plug-in US Power Adapter



PWR-DC1201A-EU

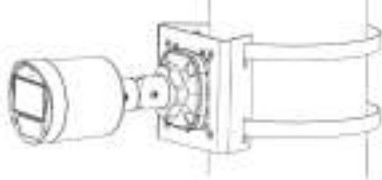

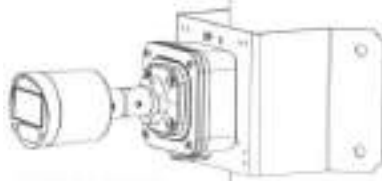
Wall Plug-in EU Power Adapter



Mount

TR-UP06-B-IN

TR-JB05-A-IN+TR-UP06-C-IN

| | |
|---|--|
|  |  |
| <p>TR-JB05-A-IN+TR-UC08-C</p> | |
|  | |

Zhejiang Uniview Technologies Co., Ltd.

Building No.10, Wanlun Science Park, Jiangling Road 88, Binjiang District, Hangzhou, Zhejiang, China (310051)

Email: overseasbusiness@uniview.com; globalsupport@uniview.com

<https://www.uniview.com>

©2022 Zhejiang Uniview Technologies Co., Ltd. All rights reserved.

*Product specifications and availability are subject to change without notice.