

LH2600 RFID Hotel Lock



- With advanced 13.56mhz Mifare-1 card technology
- American standard mortise with 5 latches
- Stainless steel housing with the color of golden and silver
- With professional hotel lock management software - single click install
- Audit trail records the latest 224 lock transactions
- With warning beeps in low battery power
- Backset is 70 mm

Specifications

Software: ZKBiolock Hotel Lock System

Operating Temperature: 0 - 45 °C

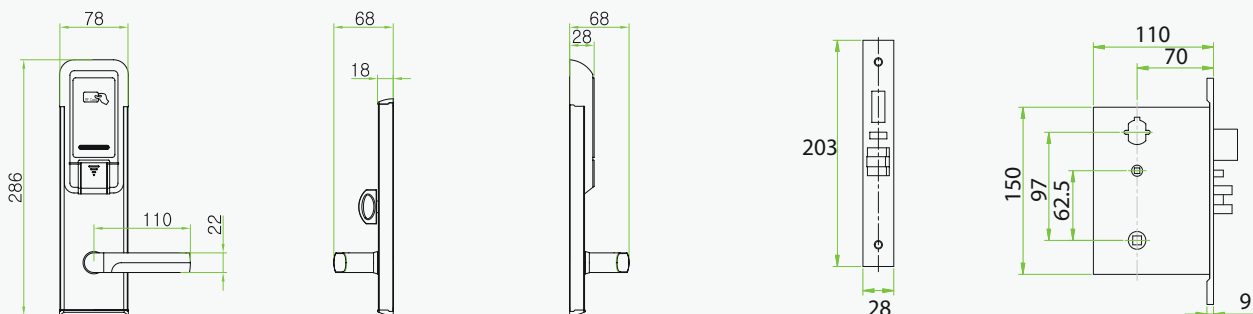
Net Weight: 3 kg

Card Type: ISO14443 (RFID) Type-A
S70 4KB/ S50 1KB

Package Dimension: 410×218×145 mm

Door Thickness: 35-55 mm

Dimensions (mm)



ZKTeco Inc.
E-mail: sales@zkteco.com
www.zkteco.com

© Copyright 2014. ZKTeco Inc. ZKTeco Logo is a registered trademark of ZKTeco or a related company. All other product and company names mentioned are used for identification purposes only and may be the trademarks of their respective owners. All specifications are subject to change without notice. All rights reserved.

