

# 2MP HD ColorHunter IR Fixed Eyeball Network Camera

IPC3612LE-ADF28(40)KC-WL



## Key Features



- High quality image with 2MP, 1/2.8"CMOS sensor
- 2MP (1920\*1080) @30/25fps; 720P (1280\*720) @30/25fps;
- Ultra 265, H.265, H.264, MJPEG
- 120dB true WDR technology enables clear image in strong light scene
- Support 9:16 Corridor Mode
- Built-in Mic & Speaker
- Smart IR, up to 30m (98ft) IR distance
- White Light, up to 30m (98ft) white light distance
- Supports 128 G Micro SD card
- IP67 protection
- Support PoE power supply
- 3-Axis

## Specifications

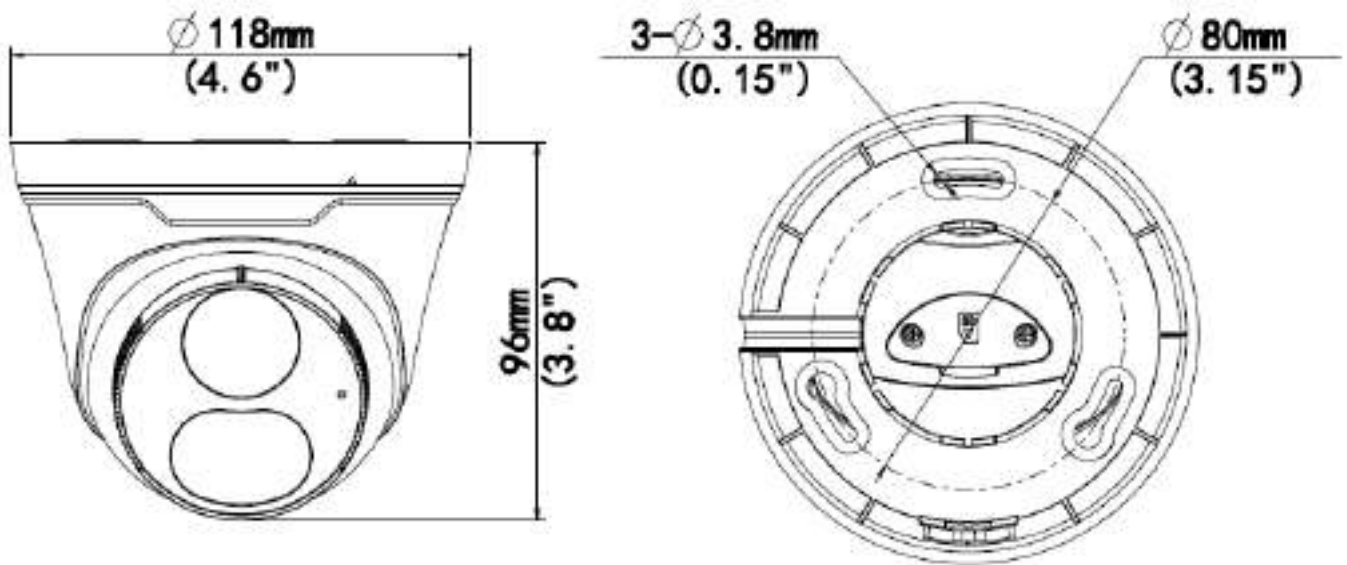
|                         | IPC3612LE-ADF28KC-WL  | IPC3612LE-ADF40KC-WL |             |                   |              |
|-------------------------|---|----------------------|-------------|-------------------|--------------|
| <b>Camera</b>           |   |                      |             |                   |              |
| Sensor                  | 1/2.8", 2.0 megapixel, progressive scan, CMOS   |                      |             |                   |              |
| Minimum Illumination    | Colour: 0.003 lux ( F1.6, AGC ON)<br>0Lux with IR   |                      |             |                   |              |
| Day/Night               | IR-cut filter with auto switch (ICR)  |                      |             |                   |              |
| Shutter                 | Auto/Manual, 1 ~ 1/100000s  |                      |             |                   |              |
| Adjustment angle        | Pan: 0° ~ 360°  | Tilt: 0° ~ 80°       |             | Rotate: 0° ~ 360° |              |
| S/N                     | >52dB   |                      |             |                   |              |
| WDR                     | 120dB   |                      |             |                   |              |
| <b>Lens</b>             |   |                      |             |                   |              |
| Lens Type               | 2.8mm@F1.6  |                      | 4.0mm @F1.6 |                   |              |
| Iris                    | Fixed   |                      |             |                   |              |
| Field of View (H)       | 106.7°  |                      | 87.5°       |                   |              |
| Field of View (V)       | 57.1°   |                      | 46.3°       |                   |              |
| Field of View (D)       | 115.7°  |                      | 92.4°       |                   |              |
| <b>DORI</b>             |   |                      |             |                   |              |
| DORI Distance           | Lens (mm)   | Detect (m)           | Observe (m) | Recognize (m)     | Identify (m) |
|                         | 2.8   | 43.4                 | 17.4        | 8.7               | 4.3          |
|                         | 4.0   | 62.1                 | 24.8        | 12.4              | 6.2          |
| <b>Illuminator</b>      |   |                      |             |                   |              |
| IR Range                | Up to 30m (98ft) IR range   |                      |             |                   |              |
| Wavelength              | 850nm   |                      |             |                   |              |
| IR On/Off Control       | Auto/Manual   |                      |             |                   |              |
| <b>Video</b>            |   |                      |             |                   |              |
| Video Compression       | Ultra 265, H.265, H.264, MJPEG  |                      |             |                   |              |
| H.264 Code Profile      | Baseline profile, Main profile, High profile  |                      |             |                   |              |
| Frame Rate              | Main Stream: 1080P (1920*1080), Max 30fps; 720P (1280*720), Max 30fps;<br>Sub Stream: 720P (1280*720), Max 30fps; D1 (720*576), Max 30fps; 640*360,Max 30fps; 2CIF(704*288), Max 30fps;<br>CIF(352*288), Max 30fps; |                      |             |                   |              |
| Video Bit Rate          | 128 Kbps~6 Mbps   |                      |             |                   |              |
| U-code                  | Support   |                      |             |                   |              |
| OSD                     | Up to 4 OSDs  |                      |             |                   |              |
| Privacy Mask            | Up to 4 areas   |                      |             |                   |              |
| ROI                     | Up to 8 areas   |                      |             |                   |              |
| Video stream            | Dual streams  |                      |             |                   |              |
| <b>Image</b>            |   |                      |             |                   |              |
| White Balance           | Auto/Outdoor/Fine Tune/Sodium Lamp/Locked/Auto2   |                      |             |                   |              |
| Digital noise reduction | 2D/3D DNR   |                      |             |                   |              |
| Smart IR                | Supported   |                      |             |                   |              |
| Flip                    | Normal/Vertical/Horizontal/180°/90°Clockwise/90°Anti-clockwise  |                      |             |                   |              |
| Dewarping               | N/A   |                      |             |                   |              |

|                        |  |
|------------------------|--|
| HLC                    | Supported  |
| BLC                    | Supported  |
| Defog                  | Digital Defog  |
| <b>Events</b>          |  |
| Basic Detection        | Cross line, intrusion(based on human body detection),motion detection, tampering alarm, audio detection  |
| General Function       | Watermark, IP address filtering, access policy, ARP protection, RTSP authentication, user authentication, HTTP authentication  |
| <b>Audio</b>           |  |
| Audio Compression      | G.711U, G.711A   |
| Audio Bitrate          | 64 Kbps  |
| Two-way Audio          | Support  |
| Suppression            | Support  |
| Sampling Rate          | 8KHZ   |
| <b>Storage</b>         |  |
| Edge Storage           | Micro SD, up to 128 GB   |
| Network Storage        | ANR,NAS(NFS)   |
| <b>Network</b>         |  |
| Protocols              | IPv4, IGMP, ICMP, ARP, TCP, UDP, DHCP, RTP, RTSP, RTCP, RTMP, DNS, DDNS, NTP, FTP, UPnP, HTTP, HTTPS, SMTP, SSL/TLS, SNMP  |
| Compatible Integration | ONVIF (Profile S, Profile G, Profile T), API, SDK  |
| User/Host              | Up to 32 users. 2 user levels: administrator and common user   |
| Security               | Password protection, Strong password, HTTPS encryption, Export operation logs, Basic and digest authentication for RTSP, Digest authentication for HTTP, TLS 1.2, WSSE and digest authentication for ONVIF |
| Client                 | EZStation<br>EZView<br>EZLive  |
| Web Browser            | Plug-in required live view: IE 10 and above, Chrome 45 and above, Firefox 52 and above, Edge 79 and above  |
|                        | Plug-in free live view: Chrome 57.0 and above, Firefox 58.0 and above, Edge 16 and above   |
| <b>Interface</b>       |  |
| Audio I/O              | N/A  |
| Alarm I/O              | N/A  |
| RS485                  | N/A  |
| Built-in Mic           | Support  |
| Built-in Speaker       | Support  |
| WIFI                   | N/A  |
| Network                | 1 * RJ45 10M/100M Base-TX Ethernet   |
| Video Output           | N/A  |
| <b>Certification</b>   |  |
| EMC                    | CE-EMC (EN 55032: 2015+A1:2020,EN 61000-3-3: 2013+A1: 2019,EN IEC 61000-3-2: 2019+A1: 2021,EN 55035: 2017+A11:2020)<br>FCC (FCC CFR 47 part15 B, ANSI C63.4-2014)  |
| Safety                 | CE LVD (EN 62368-1:2014+A11:2017)<br>CB (IEC 62368-1:2014)<br>UL (UL 62368-1, 2nd Ed., Issue Date: 2014-12-01)   |
| Environment            | CE-RoHS (2011/65/EU;(EU)2015/863); WEEE (2012/19/EU); Reach (Regulation (EC) No 1907/2006)   |
| Protection             | IP67 (IEC 60529:1989+AMD1:1999+AMD2:2013)  |

**General**

|                     |  |
|---------------------|--|
| Power               | DC 12V±25%, PoE (IEEE 802.3af)                                   |
|                     | Power consumption: Max 8.0W                                      |
| Power Interface     | Ø 5.5mm coaxial power plug                                       |
| Dimensions (Ø x H)  | Φ118 x 95mm (Φ4.6" x 3.8")                                       |
| Weight              | 0.30kg (0.66lb)  |
| Working Environment | -30°C ~ 60°C (-22°F ~ 140°F), Humidity: ≤95% RH (non-condensing) |
| Storage Environment | -30°C ~ 60°C (-22°F ~ 140°F), Humidity: ≤95% RH (non-condensing) |
| Surge Protection    | 4KV  |
| Reset Button        | N/A  |

## Dimensions



## Accessories

**TR-JB03-I-IN**

Junction Box


**TR-JB07/WM03-G-IN**

Wall Mount


**TR-WM03-D-IN**

Wall Mount


**TR-UP06-IN**

Pole Mount



TR-A01-IN

Waterproof Joint



TR-SE24-IN

Pendant Mount



TR-SE24-A-IN

Pendant Mount



TR-CM24-IN

Pendant Mount



| Junction Mount          | Pole Mount                                 |
|-------------------------|--|
| TR-JB03-I-IN            | TR-JB07/WM03-G-IN(TR-WM03-D-IN)+TR-UP06-IN |
|                         |  |
| TR-CM24-IN+TR-JB03-I-IN |  |
|                         |  |

**Zhejiang Uniview Technologies Co., Ltd.**

Building No.10, Wanlun Science Park, Jiangling Road 88, Binjiang District, Hangzhou, Zhejiang, China (310051)

 Email: [overseasbusiness@uniview.com](mailto:overseasbusiness@uniview.com); [globalsupport@uniview.com](mailto:globalsupport@uniview.com)
<http://www.uniview.com>

©2020 Zhejiang Uniview Technologies Co., Ltd. All rights reserved.

\*Product specifications and availability are subject to change without notice.