



## EFace10

### Linux-Based

Time & Attendance and Access Control Terminal  
with Visible Light Facial Recognition



Proactive  
Facial Recognition



New Height of  
Anti-Spoofing



Speedy  
Recognition



Wide Pose Angle  
Acceptance



Touchless for  
Better Hygiene



Compatible with

**ZKBio Access IVS**



**EFace10** is a touchless facial identification terminal featuring ZKTeco's innovative Visible Light Facial Recognition technology.

With the latest algorithm and Visible Light facial recognition technologies, the device will automatically perform recognition for a target in a long distance when it detects a human face in the detection distance to deliver better recognition quality in terms of speed and accuracy than the previous near-infrared facial recognition terminals.

With the applied Deep Learning algorithm, the pose angle tolerance and anti-spoofing ability against the dynamic environment and various spoofing attacks have been greatly enhanced.

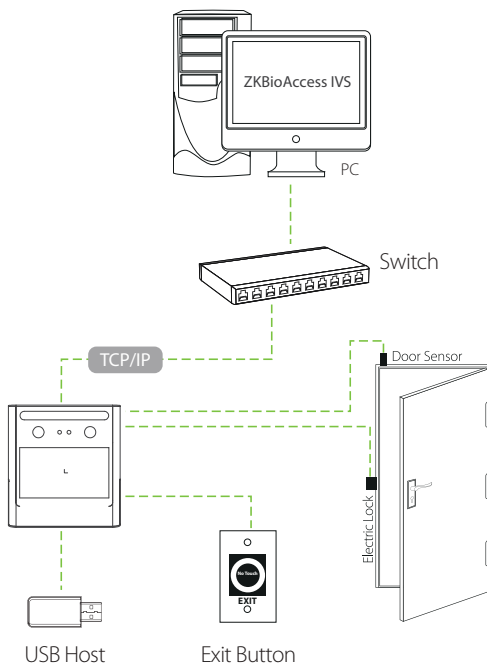
## Features

- Visible Light facial recognition
- Anti-spoofing algorithm against print attack (laser, color and B/W photos), videos attack and 3D mask attack
- Multiple verification methods: Face / Password / Card (optional)
- Card modules (optional): 125KHz ID Card (EM) / 13.56MHz IC Card
- Backup rechargeable battery (optional): offers at least 2 hours of power on a full charge, and it takes 4 hours to recharge
- Support standard wall-mounting with Backplate or optional wall-mounting with Cable Box, and optional desktop installation with Cable Box

# Specifications

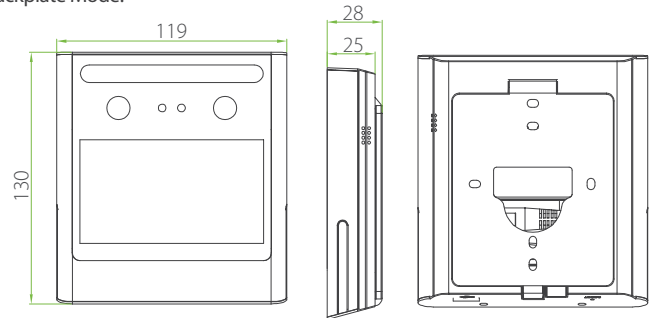
Display	4.3-inch Touch Screen
Face Capacity	500 (Optional:1,500)
User Capacity	1,000 (Optional:1,500)
Card Capacity	1,000(Optional),Max.1500
Transactions	150,000
Communication	TCP/IP, Wi-Fi (Optional), USB Host
Standard Functions	ADMS, Work Code, DST, Self-service Query, Automatic Status Switch, T9 Input, Camera, 14-digit User ID, Multiple Verification Methods, Bell Scheduling
Hardware	1GHz Dual-Core CPU, 256MB RAM / 512MB ROM, 1MP Binocular Camera
Operation System	Linux
Access Control Interface	3rd Party Electric Lock, Door Sensor, Exit Button
Optional Functions	125KHz ID Card (EM) / 13.56MHz IC Card, Battery Backup, Cable Box for Battery Installation and Storage
Biometrics Algorithms	ZKLiveFace V3.5
Facial Recognition Speed	≤1s
Power Supply	12V 1.5A
Working Humidity	20% to 80%
Working Temperature	0°C to 45°C
Dimensions (W*H*D)	130 * 119 * 28 (mm) / 130*119*55 (mm)
Supported Software	ZKBioAccess IVS (T&A)

# Configuration



# Dimensions (mm)

Backplate Mode:



Cable Box Mode:

