



DSSP6002G



DSSP6002S



DSSP6002H

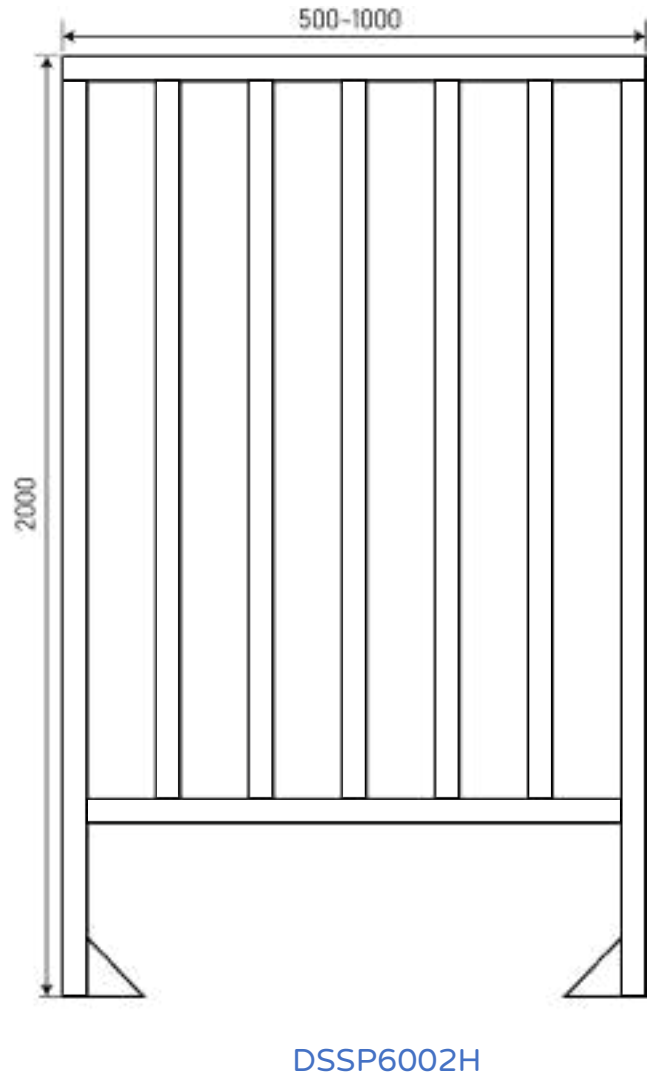
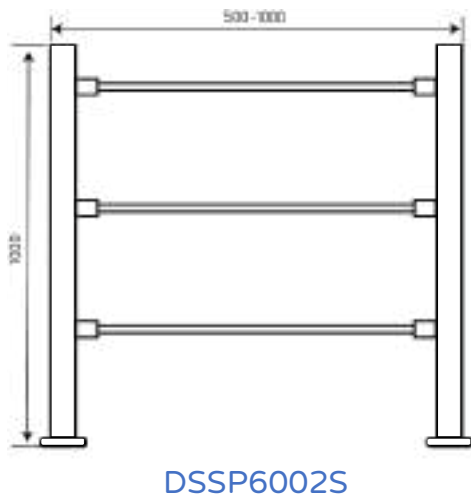
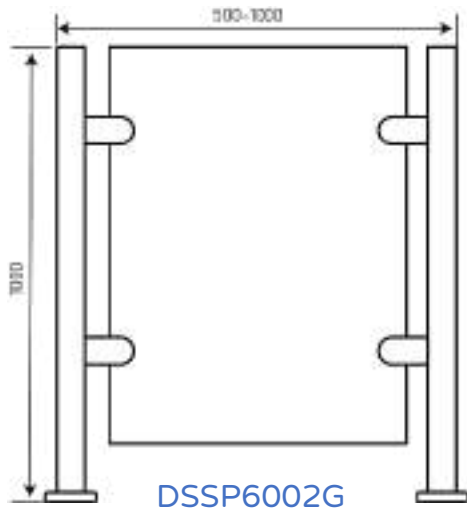
Railings



Features

- DSSP6002 railing is designed to enclose open space that needs to be secured completing your passageway.
- The system can well match with various models of Daosafe turnstiles and speed gates and full height turnstiles gates to use together.
- The post is made of brushed stainless steel which is robust, rigid, anti-rust and durable.
- The middle panel is glass and stainless-steel material.
- The frame is made of brushed stainless steel which is robust, rigid, anti-rust and durable.
- It is suitable for both indoor and outdoor applications.
- Easily to floor mount.
- 3 years free warranty.

Dimensions



Specifications

Model No.	DSSP6002
Brand	Daosafe
Post Material	304 Full Stainless Steel
Panel Material	Glass/304 Full Stainless Steel
Length	500 - 1000mm
Height	DSSP6002G: 1000mm DSSP6002H: 2000mm DSSP6002S: 1000mm
Weight	DSSP6002G:10kg/pcs DSSP6002H:15kg/pcs DSSP6002S: 5kg/pcs
Installation	Floor Mount
Optional Model	DSSP6002G, DSSP6002H, DSSP6002S