



DaoSafe

DSN-50

Nebula Tripod Turnstile

SAFETY
LEVEL

AESTHETICS

COSTING

Description

- Nebula DSN-50 tripod turnstile is the most cost-efficient in all type turnstiles.
- The most obvious feature is the slim and delicate design (360*260*980mm) to save space occupation. Exquisite and beauty is the most attractive feature in the first look.
- At the top, it's covered by a high black tempered glass, show up an attractive and impressive character.
- The tempered glass top cover and swiping card panel is incorporated into the traditional stainless steel design. The combination of tradition and modern art will definitely brighten up our vision and bring an unexpected surprise.
- The full stainless-steel body is surrounded with dazzling decorative LED light bar which bring out an aesthetic and distinctive sense.
- Superior production: Integrated mold production to ensure the high quality guaranteed.
- Welding: adopt Robot for weld to improve the high technological level.
- It is ideal for both indoor and outdoor settings.
- In case of emergency, tripod turnstile horizontal arms will drop down automatically to allow free passage when power off.



We don't only offer turnstile gates

We offer full access control solutions

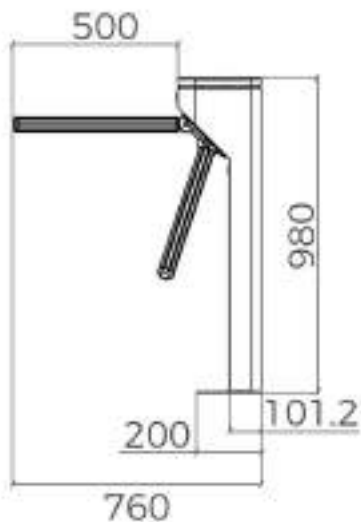
Features

- ✓ Long-life performance, high operation dependability and fast response.
- ✓ The whole system runs smoothly, low noise, no mechanical impact.
- ✓ Single directional or Bi-directional is selectable.
- ✓ Only one person can pass at one time, to prevent the illegal following
- ✓ Automatic reset function: turnstile arm will lock automatically within 5s (can be setting) if passenger delay to entry.
- ✓ When power is off, arms will drop down automatically, which is complying with fire safety requirements.
- ✓ LED indicator (red means no entry; green means entry; blue means normal close).
- ✓ It has standard relay signal, which can be integrated with any kind of third-party access control system (e.g.: RFID, Fingerprint and Biometric reader device).
- ✓ It is suitable for areas with general pedestrian traffic (e.g.: Hotel, Gym, Building, Shopping mall, Reception Area and so on).
- ✓ Easy to install and maintain.
- ✓ 3-year warranty support.

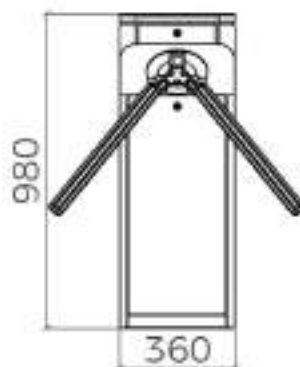


Specification

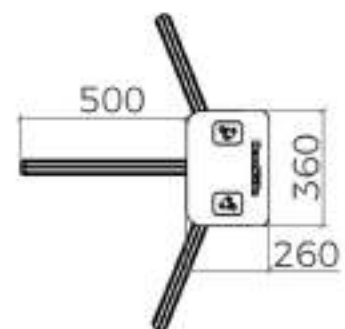
Model No.	DSN-50
Type	Nebula Tripod Turnstile
Brand	Daosafe
Certification	Compliance CE, ROHS
Communication	Dry contact, Relay signal, RS485
Framework Material	304 brushed stainless steel+ High end black tempered film glass
Arm material	304 Stainless Steel with rubber protector
Dimension	360 *260 * 980mm
Net Weight	35kg/pcs
Passage Width	550mm (Arm length: 500mm)
Passing Direction	Single directional / Bi-directional
MCBF	9 million
Power Supply	AC220V/110V, 50/60Hz
Operation Voltage	24V DC
Power Consumption	20W
Operation Temperature	-20 °C - 75 °C
Operation Humidity	0 ~ 95% (No freeze)
Working Environment	Indoor / Outdoor (shelter)
Flow Rate	40 people per minute
LED Indicator	Unique blue LED strip (front+ top+side)
Emergency	Arms will drop down automatically
Flexibility	Integrate with any access control



[Front view]

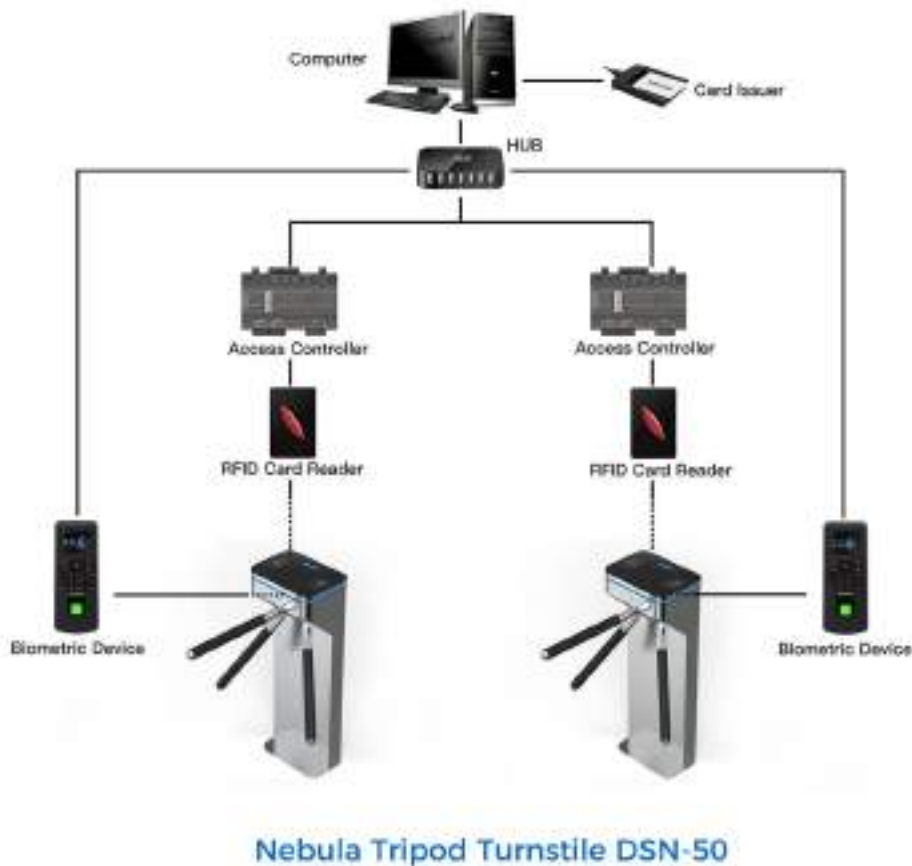


[Side view]



[Top view]

System Integration Figure



REMARK:

- The turnstile circuit board support to work with any relay signal, and support to integrated with any 3rd party access control system: RFID, BIOMETRIC, QR/BARCODE and so on.
- Multiple access controller board can be connected by TCP/IP through net cable, control by central computer.
- The turnstile circuit board is also with RS232 output, it can connect with mini PC. Turnstile will open once received simple code by computer, which is suitable for the complicated like ticketing system solution.

Tripod turnstile is the simple type, with the lowest price in all type turnstiles. The most obvious feature is the slim and delicate design (360*260*980mm) to save space occupation. Exquisite and beauty is the most attractive feature in the first look.



One Lane



Two Lanes



Three Lanes