



DS100Z

Tripod Turnstile

SINGLE / BI-DIRECTION

Description

SAFETY
LEVEL

AESTHETICS

COSTING

- The body is made of brushed stainless steel which is robust, rigid, anti-rust, waterproof and durable.
- Tripod turnstiles access control, has a long-life performance, high reliability of operation and fast response. The whole system operates smoothly, with low noise and no mechanical impact
- One-way or bi-directional can be chosen. Only one person can pass at a time, to avoid illegal tracking.
- It is ideal for both indoor and outdoor settings.
- It has standard relay signal, which can be integrated with any kind of third-party access control system
- LED indicator ((red × means no entry; green →means entry).
- In case of emergency, tripod turnstile horizontal arms will drop down automatically to allow free passage when power off.
- It is suitable for areas with general pedestrian traffic. (e.g.: Park, School, Factory, Library, Cinema, Gym).



DS100Z Handicapped Passage

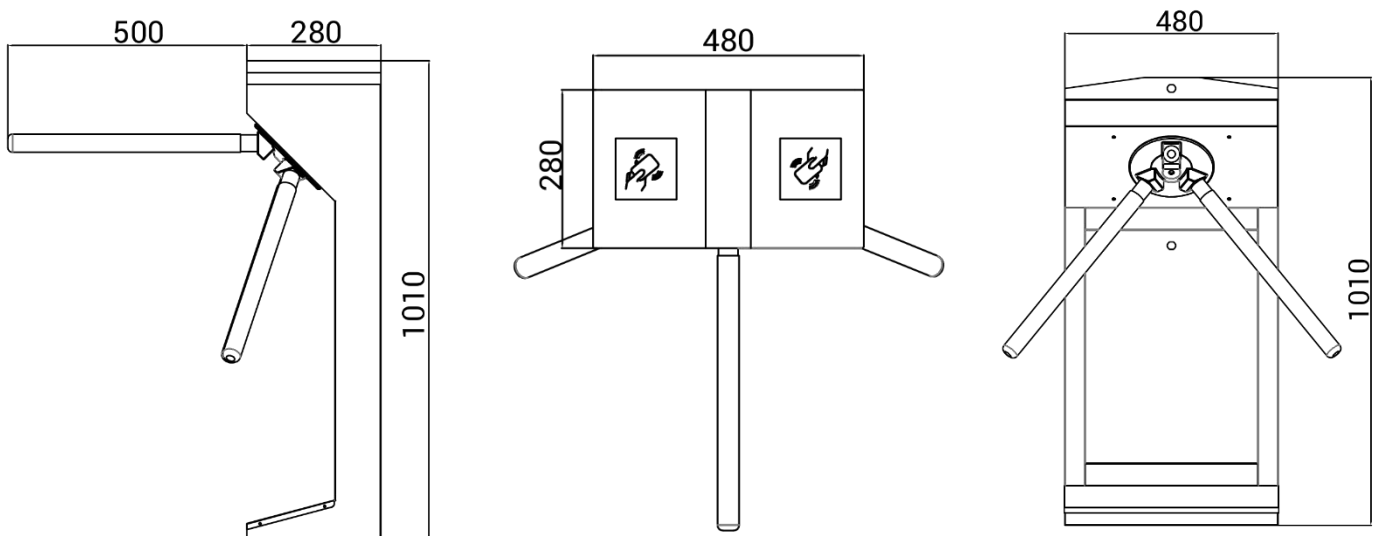


Working with DS225

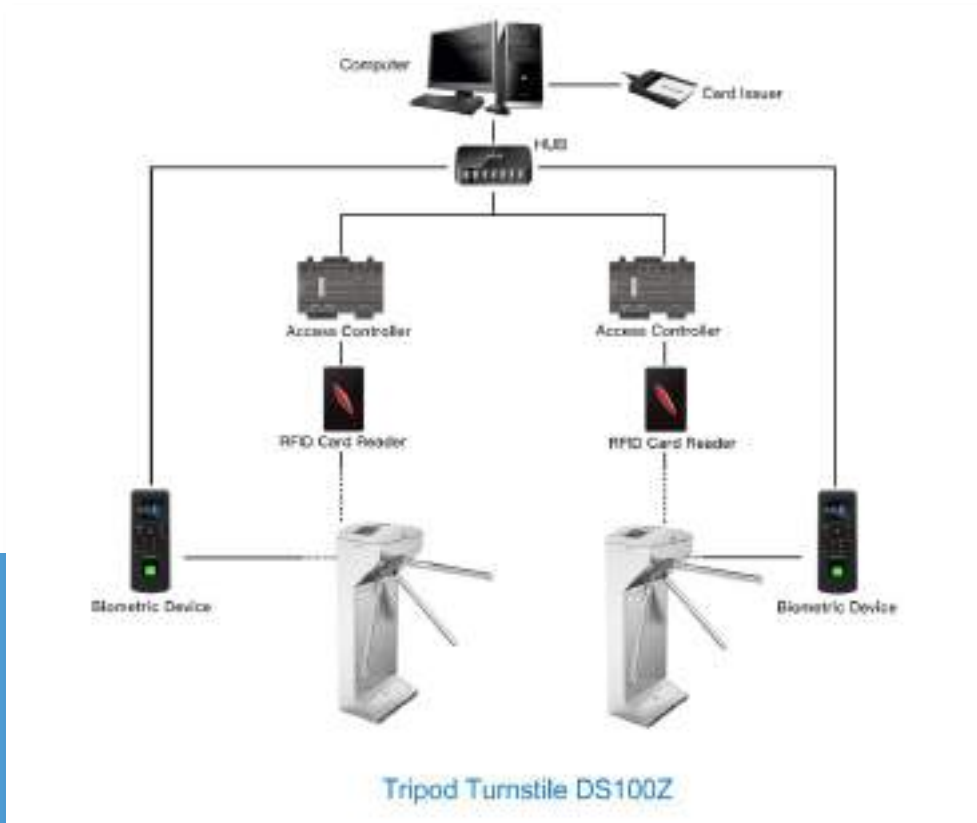
Specification

Model No.	DS100Z
Type	Tripod Turnstile
Brand	Daosafe
Framework Material	304 full stainless steel
Arm material	Stainless Steel (black rubber padding for choose)
Dimension	480 * 280 * 1010mm
Net Weight	45kg/pcs
Passage Width	550mm (Arm length: 500mm)
Passing Direction	Single directional / Bi-directional
MCBF	10 million
Power Supply	AC220V/110V, 50/60Hz
Operation Voltage	24V DC
Power Consumption	20W
Operation Temperature	-15 °C – 60 °C
Operation Humidity	0 ~ 95% (No freeze)
Working Environment	Indoor / Outdoor
Flow Rate	35 people per minute
LED Indicator	Yes
Emergency	Automatic arm open when power off
Communication	Dry contact, Relay signal, RS485

Dimension



System Integration Figure



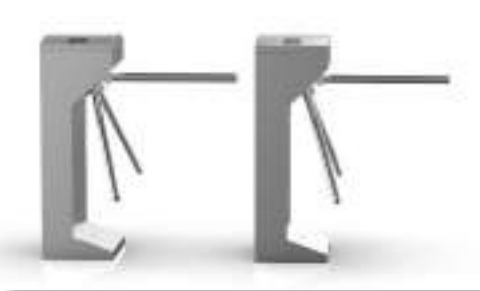
REMARK:

- The turnstile circuit board support to work with any relay signal, and support to integrated with any 3rd party access control system: RFID, BIOMETRIC, QR/BARCODE and so on.
- Multiple access controller board can be connected by TCP/IP through net cable, control by central computer.
- The turnstile circuit board is also with RS232 output, it can connect with mini PC. Turnstile will open once received simple code by computer. which is suitable for the complicated like ticketing system solution.

The most obvious feature of tripod turnstile is only one person can pass at a time, to avoid illegal tracking.



One Lane



Two Lanes



Three Lanes with Handicapped Access