

DS-KIS702-P

Two-Wire Video Intercom Kit



DS-KD8003-IME2 Door Station

- 2 MP HD Video Intercom
- Access Control
- Noise Suppression and Echo Cancellation
- H.264 Video Compression
- Low Illumination
- Tamper Alarm
- Fisheye Camera with Supplemental IR Light
- Supports Sub-Module Access (Maximum of 8)
- Easy-To-Add Additional Modules

DS-KH6320-WTE2 Indoor Station

- New UI v2.0: User-Friendly Design
- 7" IPS Capacitive Color Touch Screen with 1024 x 600 Resolution
- Two-Pin Wire for Power Supply and Network Access
- Stores Messages and Captured Pictures on MicroSD Card
- Remote Unlocking via Client Software or Mobile Client
- Views Live Videos of Door Stations and External Cameras
- Supports Wireless Network

DS-KAD704 Distributor

- 4 Connection Ports (Ports 1–4)
- 4 Network Status Display Indicators

DS-KD-ACW1 Door Station Accessory Package

- Installation Frame, Cover, Screws, etc.
- Aviation Aluminum

The DS-KD8003-IME2 by Hikvision is a video door station that combines video intercom and access control functionality.

It features a high performance CMOS, H.264 video compression, and a supplemental IR lighting mode, which facilitates night-time visual recognition.

The DS-KH6320-WTE2 is a video intercom indoor station that features a 15.1 mm slim design and a 7" capacitive color touch screen.

It can be combined with other Hikvision products and used to set up security solutions with varying levels of sophistication.

The DS-KAD704 Distributor connects the video door station to the video intercom indoor station. It contains four connection ports.

Available Models:

- DS-KIS702-P Kit: DS-KD8003-IME2 x 1
DS-KD-ACW1 x 1
DS-KH6320-WTE2 x 1
DS-KAD704 x 1
PSU x 1
16 GB MicroSD Card x 1

Specifications

DS-KH6320-WTE2	
System	
Operating System	Embedded Linux operating system
Processor	1 GHz
Memory	128 Mb
Flash Storage	16 Mb
Display	
Display Screen	7" TFT LCD
Display Resolution	1024 x 600
Operation Method	Capacitive touch
Audio	
Audio Input	Built-in omnidirectional microphone
Audio Output	Built-in loudspeaker
Volume	Local or software control
Audio Compression Standard	G.711u or G.711a
Audio Compression Rate	64 Kbps
Audio Quality	Noise suppression and echo cancellation
Network	
Wired Network	Two-wire network
Wireless Network	Wi-Fi 802.11b/g/n
Network Protocol	TCP/IP, SIP, RTSP
Interfaces	
Network Interface	Two-wire interface
RS-485	1
Alarm Input	8 zone alarm input
Relay Output	2
MicroSD Card	Supported, maximum 32 GB
Extended Application	
Mobile Client	Supported
Indoor Elevator Calling	Supported
IP Camera	Supported
General	
Power Supply	Two-wire
Power Consumption	≤6 W
Working Temperature	14° to 122° F (-10° to 50° C)
Working Humidity	10% to 90% non-condensing
Dimensions (W × H × D)	7.87" x 5.51" x 0.59" (200 mm x 140 mm x 15.1 mm)
DS-KD8003-IME2	
System Parameters	
Processor	Embedded microcontroller
Operating System	Embedded Linux operating system
Operation Method	One-touch key
Video Parameters	
Camera	2 MP high-definition camera
Night Vision	Low light and IR supplement mode
Backlight Compensation	Supported
Digital Noise Reduction	Supported
WDR	120 dB
Field of View	Horizontal: 180°, vertical: 96°
Video Compression Standard	H.264
Stream	Main stream: 1080p @ 30 fps, 720p @ 30 fps (configurable) Sub-stream: D1
Resolution	Main stream: 1920 x 1080 (720p configurable) Sub-stream: 720 x 480
Motion Detection	Supported
Flash	50 Hz, 60 Hz
Audio Parameters	
Audio Input	Built-in omnidirectional microphone
Audio Intercom	Full-duplex two-way audio intercom
Audio Output	Loudspeaker, 20 cm sound effect >80 dB
Audio Compression Standard	G.711u
Audio Compression Rate	64 Kbps
Audio Quality	Noise suppression and echo cancellation
Tamper	
Tamper	1
Network Parameters	
RS-485	1 (inter-module connection)
Alarm Input	1
General	
Protection Level	IP65
Button	1
Power Input	24 VDC two-wire power supply (<16 W)
Working Temperature	-40° to 140° F (-40° to 60° C)
Working Humidity	10% to 90% non-condensing
Installation	Wall mount
Dimensions	3.86" x 3.93" x 1.73" (98 mm x 99.8 mm x 43.9 mm)

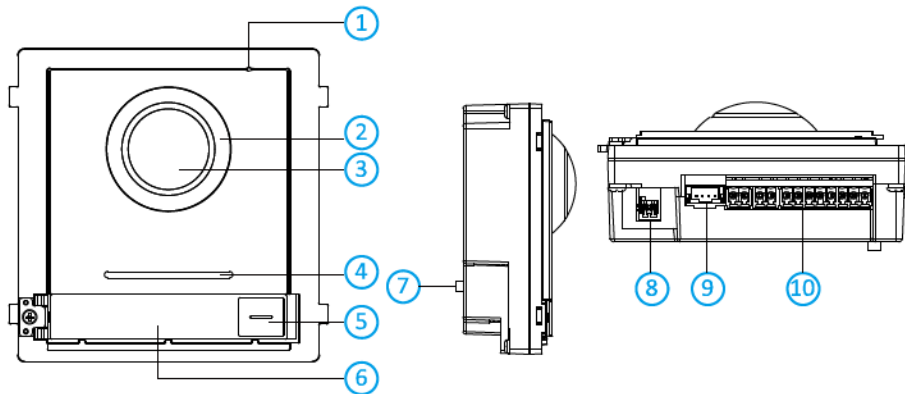
Specifications (continued)

DS-KAD704	
Interfaces	
Network Interface	1 RJ-45
Two-Wire Interface	4
Signal Indicator	4
Power Indicator	1
Reset	1
General	
Power Supply	Two-wire mode
Power Consumption Mode	CH 1 to CH 3: <6 W CH 4: <16 W
Working Temperature	14° to 122° F (-10° to 50° C)
Working Humidity	10% to 90% non-condensing
Digital Noise Reduction	Supported
Dimensions	5.66" x 3.64" x 2.59" (143.7 mm x 92.4 mm 65.9 mm)

DS-KD-ACW1	
Cover	Installation Frame
Material	Aviation aluminum
Installation	Surface mount
Working Temperature	-40° to 140° F (-40° to 60° C)
Working Humidity	10% to 95% non-condensing
Dimensions (L x W x D)	4.61" x 4.21" x 0.16" (117 mm x 107 mm x 4 mm)
	4.61" x 4.21" x 1.29" (117 mm x 107 mm x 32.7 mm)

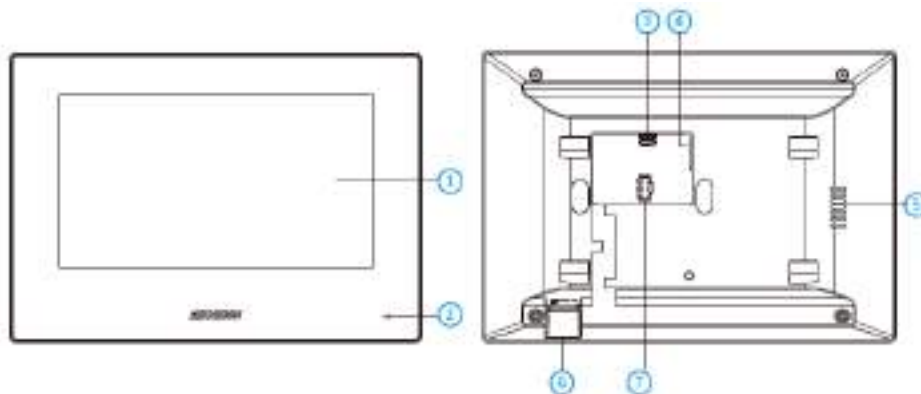
Landmarks

DS-KD8003-IME2 Modular Door Station:



- | | |
|-----|--------------------------------------|
| 1. | Microphone |
| 2. | Low Illumination IR Supplement Light |
| 3. | Built-In Camera |
| 4. | Loudspeaker |
| 5. | Call Button |
| 6. | Nametag |
| 7. | Tamper |
| 8. | Two-Wire Interface |
| 9. | Module Connecting Interface (Output) |
| 10. | Terminals |

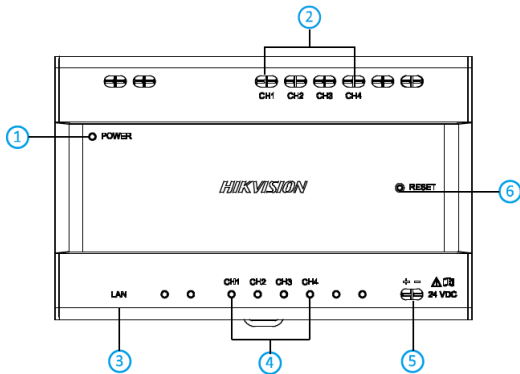
DS-KH6320-WTE2 Indoor Station:



- | | |
|----|------------------------------------|
| 1. | Screen |
| 2. | Microphone |
| 3. | Debugging Port |
| 4. | Network Interface and Power Supply |
| 5. | Loudspeaker |
| 6. | MicroSD Card Slot |
| 7. | Terminals |

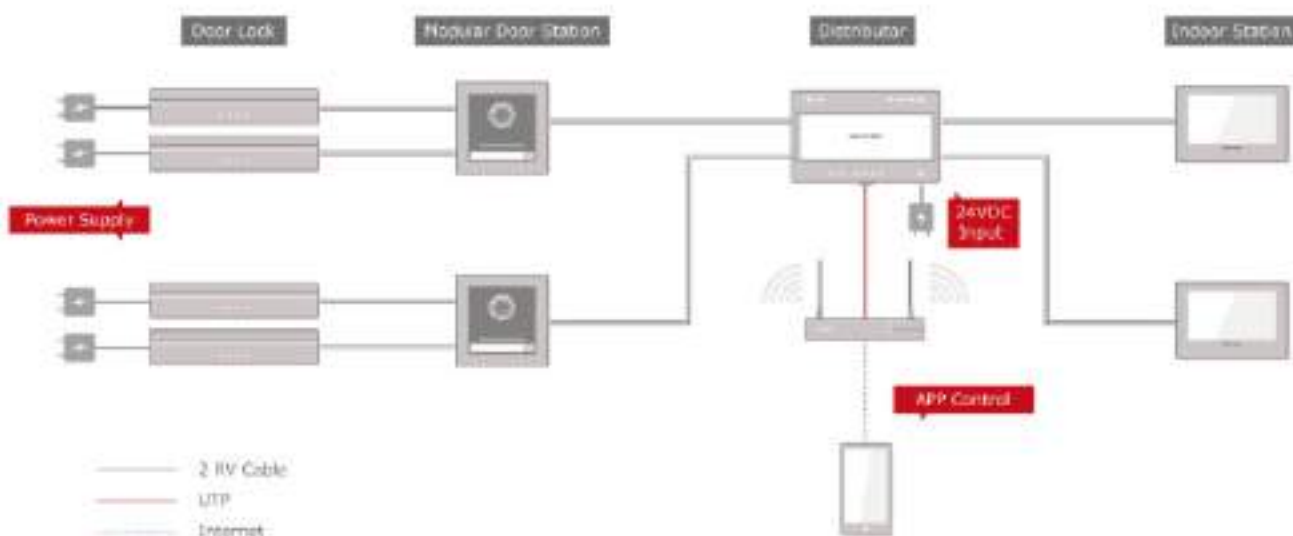
Landmarks (continued)

DS-KAD704 Distributor:



1.	Power Indicator
2.	Terminals
3.	LAN
4.	Network Indicator
5.	Power Input
6.	Reset

Typical Application



Box Contents (Subject to Change without Notice)

- (1) DS-KD8003-IME2 Modular Door Station
- (1) DS-KD-ACW1 Door Station Accessory Package
- (1) DS-KH6320-WTE2
- (1) DS-KAD704 Indoor Station
- (1) PSU Power Supply Unit
- (1) 16 GB MicroSD Card