

DS-D5022FN-C 22-inch Monitor



- Ultra-thin device body with ultra-thin border for 3 sides.
- 2 channels of 8 bit/10 bit LVDS HD (1920*1080) display.
- 178° ultra-wide view screen.
- 3D noise reduction.
- Low blue light design for eye care.
- Dual interface of HDMI and VGA.
- Support VESA wall mount.



▪ Specification

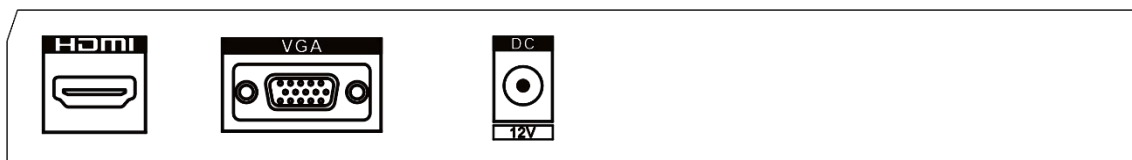
Model		DS-D5022FN-C
Display	Screen Size	21.5"
	Active Display Area	478.656 (H) mm × 260.28 (V) mm
	Resolution	1920 × 1080
	Backlight	E-LED
	Pixel Pitch	0.0831 (H) mm × 0.241 (V) mm
	Brightness	250 cd/m ²
	Viewing Angle	178°/178°
	Color Depth	8 bit
	Contrast Ratio	3000 : 1
	Response Time	6.5 ms (typ)
	Refresh Rate	60 Hz
	Haze	25 %
	Reliability	7 × 16 H
	Color Gamut	72%
Interface	Video & Audio Input	HDMI 1.4 × 1, VGA × 1, Audio In × 1
Power	Power Supply	100-240 VAC, 50/60 Hz
	Power Consumption	≤ 22 W
	Standby Consumption	≤ 0.5 W
Working Environment	Working Temperature	0 °C to 40 °C (32 °F to 104 °F)
	Working Humidity	20% to 90% RH (Non-Condensing)
	Storage Temperature	-20 °C to 60 °C (-4 °F to 140 °F)
	Storage Humidity	10% to 90% RH (Non-Condensing)
General	Casing Material	Plastic
	VESA	75 mm × 75 mm, 4-M6 × 6 screw holes
	Bezel Width	1.88 mm (top/left/right), 19 mm (bottom)
	Product Dimensions (W × H × D)	With base: 492.356 (W) mm × 390.11 (H) mm × 200.20 (D) mm (19.38" × 15.36" × 7.88") Without base: 492.356 (W) mm × 289.680 (H) mm × 43.88 (D) mm (19.38" × 11.40" × 1.73")

Package Dimensions (W × H × D)	647 (W) mm × 111 (H) mm × 406 (D) mm (25.49" × 4.37" × 15.99")
Net Weight	2.6 ± 0.5 kg (5.7 ± 1.1 lb.)
Gross Weight	4.0 ± 0.5 kg (8.8 ± 1.1 lb.)
Packing List	Monitor × 1, AC power cable × 1, base bracket × 1, user manual × 1, quick start guide × 1, HDMI cable × 1
Remarks	*The base is included by default. *The product appearance and parameters in this specification may vary from your actual device. Please consult our local sales staff for further information.

▪ Available Model

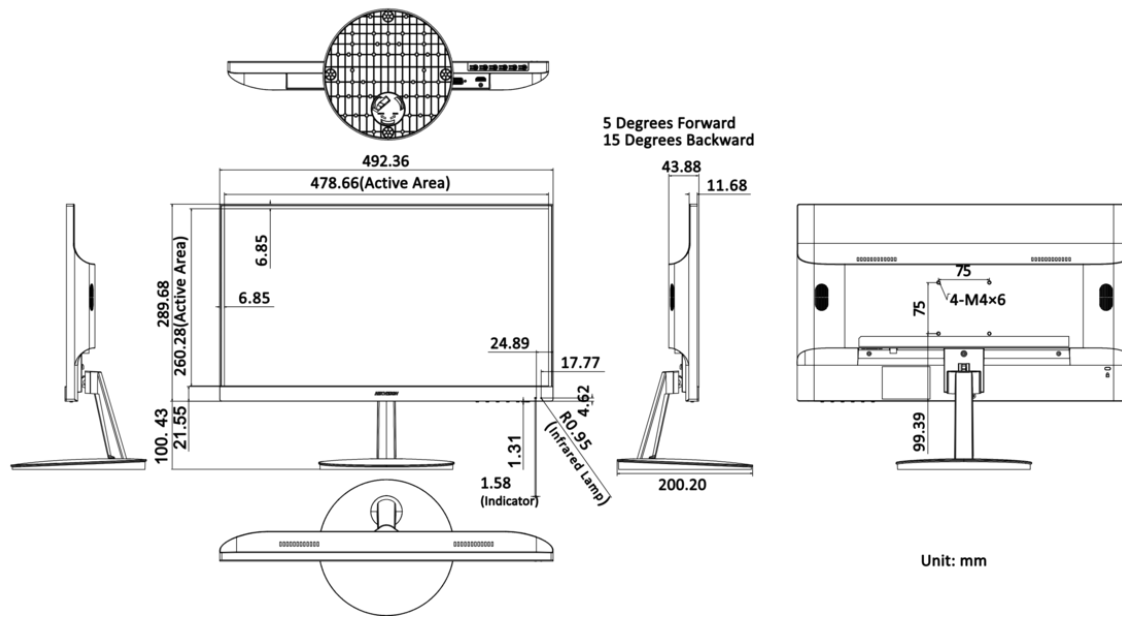
DS-D5022FN-C

▪ Physical Interface



Interface	Description
HDMI	HDMI digital signal input
VGA	VGA analog signal input
AC 100-240V~	100-240 VAC power supply
AUDIO IN	3.5mm Audio Input

Dimension



Distributed by



HIKVISION

Headquarters

No.555 Qianmo Road, Binjiang District,
Hangzhou 310051, China
T +86-571-8907-5998
overseasbusiness@hikvision.com

Hikvision USA
T +1-909-885-0400
sales.usa@hikvision.com

Hikvision Australia
T +61-2-8589-4213
salesau@hikvision.com

Hikvision India
T +91-22-28409800
sales@promohikvision.com

Hikvision Canada
T +1-866-200-8660
sales.canada@hikvision.com

Hikvision Thailand
T +662-271-9949
sales.thailand@hikvision.com

Hikvision Europe
T +31-23-5542770
sales.eu@hikvision.com

Hikvision Italy
T +39-0438-69002
info.it@hikvision.com

Hikvision Brazil
T +55 11 3318-0050
latam.support@hikvision.com

Hikvision Turkey
T +90 (210)521 7070-7074
sales.tr@hikvision.com

Hikvision Malaysia
T +601-7652-2413
sales.my@hikvision.com

Hikvision UK & Ireland
T +01526-802140
sales.uk@hikvision.com

Hikvision South Africa
Tel: +27 (12) 0351132
sales.africa@hikvision.com

Hikvision France
T +33011-86-330-460
info.fr@hikvision.com

Hikvision Kazakhstan
T +7-727-9730067
nikis.pantlov@hikvision.ru

Hikvision Vietnam
T +84-074270888
sales.vt@hikvision.com

Hikvision UAE
T +971-4-4452000
salesme@hikvision.com

Hikvision Singapore
T +65-6884-4718
sg@hikvision.com

Hikvision Spain
T +34-91-737-16-55
info.es@hikvision.com

Hikvision Tashkent
T +99-67-1238-8430
uzb@hikvision.uz

Hikvision Hong Kong
T +852-2151-1761
info.hk@hikvision.com

Hikvision Russia
T +7-495-659-87-99
salesru@hikvision.com

Hikvision Korea
T +82-1031-731-8617
sales.korea@hikvision.com

Hikvision Poland
T +48-22-460-01-50
info.pl@hikvision.com

Hikvision Indonesia
T +62-21-2933759
Sales.Indonesia@hikvision.com

Hikvision Colombia
sales.colombia@hikvision.com