

DHI-KTA04

Video Intercom KIT



- Video intercom function: Unlock, voice call, video call, volume adjustment and doorway monitoring
- Multiple bell sounds
- Support digital wide dynamic range (DWDR)



Technical Specification

DHI-VTH1010J

System

Button Type	Touch button
-------------	--------------

Basic

Display	4.3" TFT
Screen Resolution	480 (H) × 272 (V)

Function

Communication Mode	Analog
--------------------	--------

Performance

Casing	ABS
--------	-----

General

Color	White
Power Supply	12 VDC 1 A
Power Adapter	Included
Installation	Surface mount
Certifications	CE/FCC
Accessory	Bracket (included)
Dimensions	136.00 mm × 140.00 mm × 18.30 mm (5.35" × 5.51" × 0.72")
Operating Temperature	-10 °C to +55 °C (+14 °F to +131 °F)
Operating Humidity	10%–95% (RH)
Power Consumption	≤ 2 W (standby) ≤ 5 W (working)
Net Weight	0.16 kg (0.35 lb)
Gross Weight	0.42 kg (0.96 lb)

DHI-VTO1000J

System

Button Type	Mechanical
-------------	------------

Basic

Camera	1.3 MP CMOS
Field of View	Horizontal: 70° Vertical: 40°
WDR	DWDR
Illuminator Type	Auto IR
Day/Night	ICR auto switch
Audio Input	1 channel to the microphone; pickup distance 0.5 m
Audio Output	1 channel to the speaker
Status Indicator	1 indicator light Green: Power on

Function

Communication Method	Analog
Unlock Mode	Remote unlock

Performance

Casing	PC + ABS
--------	----------

Port

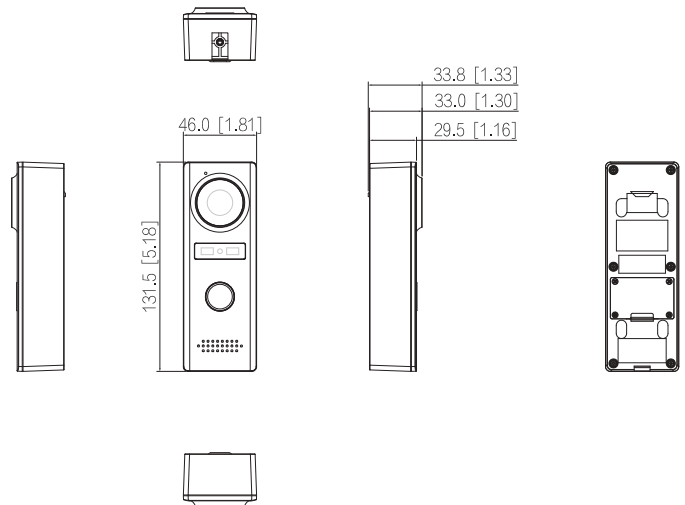
Exit Button	1
Door Status Detection	1

General

Color	Silver
Power Supply	Powered by indoor monitor
Installation	Surface mount

Certifications	CE/FCC
Accessory	Rain cover (included)
Dimensions	131.45 mm × 46.00 mm × 33.80 mm (5.18" × 1.81" × 1.33")
Protection Grade	IP66 (Apply silicon sealant to gaps between the device and the wall. Liquid sodium silicate is recommended. For details, see the quick start guide.)
Operating Temperature	-30 °C to +60 °C (-22 °F to +140 °F)
Operating Humidity	10%–95% (RH)
Power Consumption	≤ 1 W (standby) ≤ 3 W (working)
Net Weight	0.18 kg (0.40 lb)
Gross Weight	0.38 kg (0.84 lb)

DHI-VTO1000J

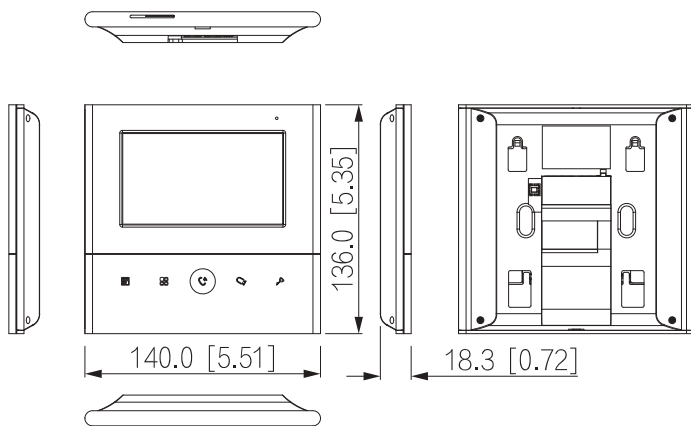


Ordering Information

Type	Model	Description
Video Intercom Kit	DHI-KTA04	Video Intercom Kit

Dimensions (mm[inch])

DHI-VTH1010J



Application

