

PFT4300

FLIP TOP CASH DRAWER



POZONE

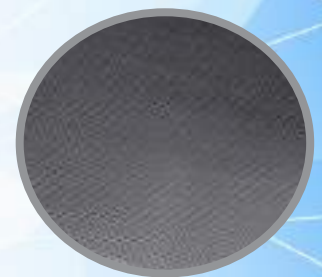


Detachable Metal Insert with Separated Coin Cups

It is a flip top cash drawer with detachable metal insert and separated coin cups, which is very popular in compact retail environment, various interfaces available for POS terminal.



Option: Brushed Stainless Top



Option: Granulated Stainless Top



Decorated 2 or 3- position Lock Options



Removable Interface



Cable Cover

*Specifications are subject to change without notice

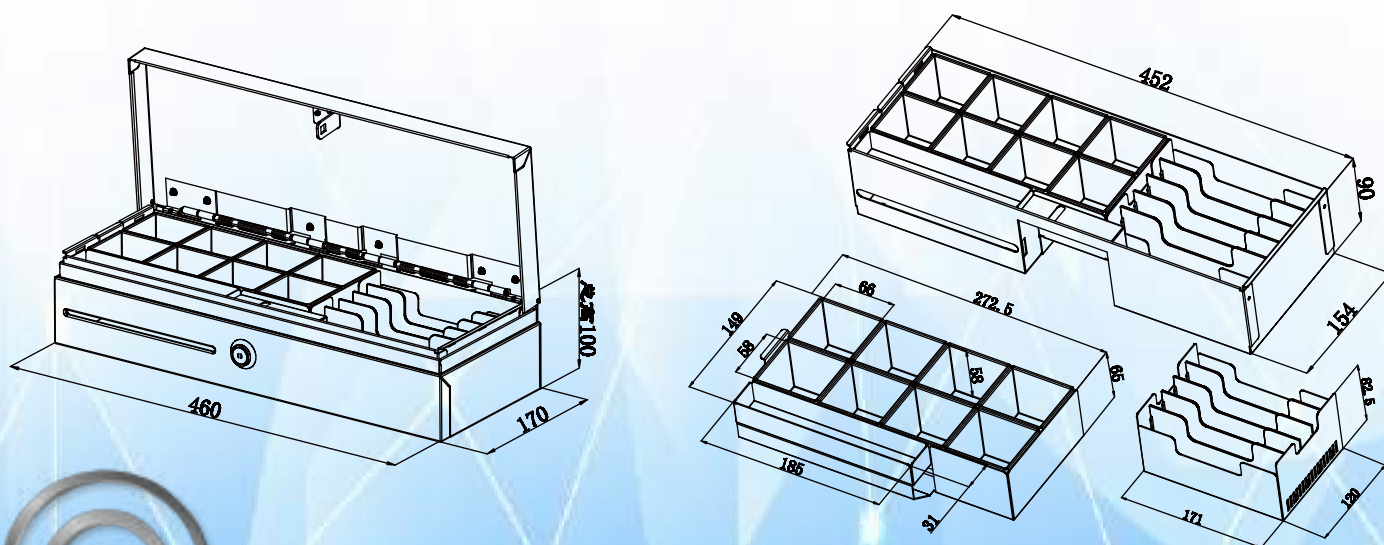
www.pozoneintl.com

PFT4300 Specification

PHYSICAL	
Dimension	460 (W)x170 (D)x100 (H)mm
Construction	Thick Gauge Cold Rolled Steel & SECC
Finish	Textured Hybrid Powder Coat
Color	Black, Beige and Custom Type
CASH TRAY (INSERT) Detachable Metal Cash Tray with Separated Coin Cups	
Construction	Shatter-Resistant Plastic
Currency Layout	8 Adjustable Bills/8 Coins(Detachable Cash Tray with Separated Coin Cups)
Media Slots	1
OPERATION	
Lock	2-Position Lock: Manual Open, Electronically Driven
	3-Position Lock: Manual Open, Electronically Driven, Lock Open/Closed
Interface	RJ11, RJ12, USB, RS232, DC Φ 2.5 /3.5 Jack, custom type
Lifecycle	MTBF 1,000,000 times +
Micro Switch	Cash Drawer Status Micro Switch

OPTION	ACCESSORIES	
	Part Number	Description
Stainless Steel Front		
Cash tray with different currency layout	Tray-	Cash Tray
Different color	Cover-	Lockable Cover for Tray-
Different interfaces		

Packing Details			
Models	Net Weight(kg)	Gross Weight(kg)	Carton Size(cm)
	6.24	6.77	50.5 x 22.0 x 15.8



Specifications are subjected to change without notice.

