

Economical Medium Cash Drawer

PCD 4141

Obviously lower priced, but having many features similar to the higher priced drawers, and still durable enough to meet frequent use demands. The perfect platform for most of retail environments, also the ideal base for large size ECR.

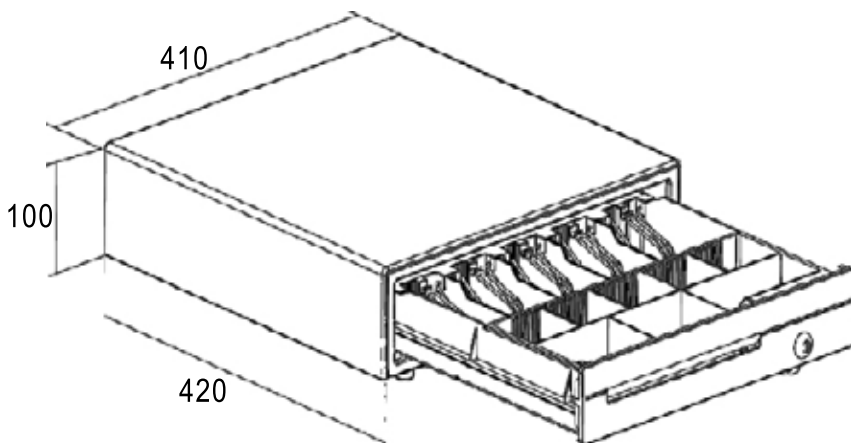
Durable Metal Wire Gripper Bill Holder
Tested over one million operations

Removable and adjustable cash tray

PHYSICAL	
Dimension	410 (W)x420 (D)x100 (H)mm
Construction	Thick gauge cold rolled steel & SECC
Finish	Textured hybrid powder coat
Color	Black, Beige and Custom type
Roller	Polyurethane for smooth operation
CASH TRAY (INSERT)	
Construction	Shatter-resistant plastic
Currency Layout	4,5,6,8-Bill with Metal Metal wire grips, 8 Adjustable Coin Slots
Media Slots	1
OPERATION	
Drawer Lock	3-Position lock / 4-Functions: locked open/ closed, manual open, electronically driven
Interface	RJ11, RJ12, USB, RS232, DC Φ 2.5 /3.5 Jack, custom type
Lifecycle	MTBF 1,000,000 times +
Micro Switch	Cash Drawer Status Micro Switch

OPTION	ACCESSORIES	
	Part Number	Description
Micro-switch		
Stainless Steel Front	Bracket-41268	Under Mounting brackets
Cash tray with different currency layout	DT-100U	USB Trigger
Different color	DT-100RS	Serial Interface Trigger
Different interfaces		

Packing Details			
Models	Net Weight(kg)	Gross Weight(kg)	Carton Size(cm)
ECD-410	6.2	7.0	47.0 × 48.0 × 16.0
ECD-420	6.43	7.4	50.0 × 47.0 × 16.0



Specifications are subjected to change without notice.

