

DS-3E1326P-EI

Smart Managed 24-Port 100 Mbps PoE Switch

Smart managed switches are developed by Hikvision, featuring in easy management and maintenance. You can easily deploy, monitor and expand your surveillance system anytime and anywhere with our software platforms. You can view the network topology, monitor the health of the network and receive device alarms in real time, which greatly reduces the cost of network operation and maintenance.



Visualized Topology Management



Network Health Monitor



Real-Time Alarm Push



Video Control and Preview

Key Feature

- 24 × 100 Mbps PoE RJ45 ports, 2 × gigabit combos.
- IEEE 802.3at/af standard for PoE ports.
- Network topology management, alarm push, network health monitor.
- 6 KV surge protection for PoE ports.
- AF/AT camera can reach up to 300 m in extend mode.

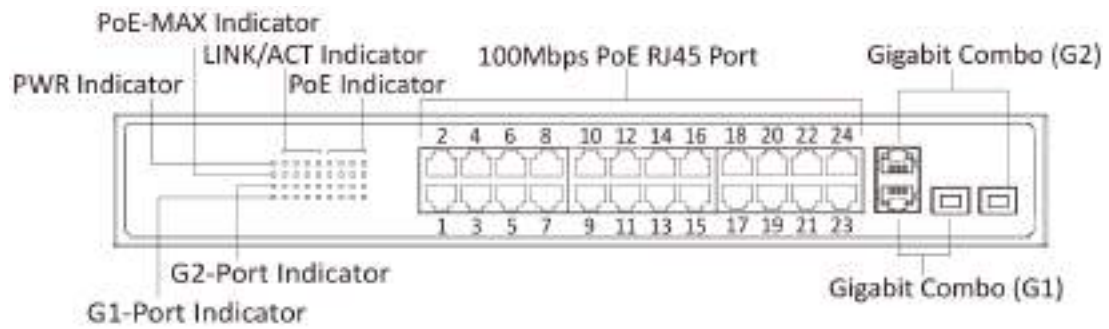


Specification

Model		DS-3E1326P-EI
Network parameters	Port number	24 × 100 Mbps PoE RJ45 ports, and 2 × gigabit combos.
	Port type	RJ45 port, full duplex, MDI/MDI-X adaptive
	Standard	IEEE 802.3, IEEE 802.3u, IEEE 802.3x, IEEE 802.3ab and IEEE 802.3z
	Forwarding mode	Store-and-forward switching
	Working mode	Standard mode (default), Extend mode
	High priority ports	Ports 1 to 8
	Ports for long-distance transmission	Ports 1 to 24
	MAC address table	16 K
	Switching capacity	8.8 Gbps
	Packet forwarding rate	6.5472 Mpps
	Internal cache	4 Mbits
PoE power supply	PoE standard	Ports 1 to 24: IEEE 802.3af, IEEE 802.3at
	PoE power pin	Ethernet cables 1/2/3/6 and 4/5/7/8 provide power supply simultaneously.
	PoE port	Ports 1 to 24
	Max. port power	30 W
	PoE power budget	370 W
Software function	Device maintenance	Support remote upgrade, recovering default parameters, viewing logs, configuring basic network parameters.
	Typology display	Support typology display.
	Port configuration	Support rate, flow control, and switch configuration
	PoE function	IEEE 802.3at/af device provides power supply.
	VIP ports function	Support data of ports in red area forwarded in priority.
	Link aggregation	Support G1, G2 port static link aggregation
	Device status alarm	Support the device status, PoE_MAX and PoE status alarm.
	Network management	Support client management.
General	Port statistics	Support port transmitting/receiving real-time rate statistics, 7-day transmitting/receiving peak rate statistics.
	Shell	Metal material, fan-free design
	Net Weight	2.83 kg (6.24 lb)
	Dimension (L × H × D)	440 mm × 44 mm × 221 mm (4.76" × 3.47" × 1.09")
	Operating temperature	-10°C to 55°C (14°F to 131°F)
	Storage temperature	-40°C to 85°C (-40°F to 185°F)
	Operating humidity	5% to 95% (no condensation)
	Storage humidity	5% to 95% (no condensation)
	Power supply	100~240 VAC, 50/60Hz, Max. 6.5 A
	Max. power consumption	400 W
Approval	Power source	400 W
	EMC	FCC (47 CFR Part 15, Subpart B); CE-EMC (EN 55032: 2015, EN 61000-3-2: 2014, EN 61000-3-3: 2013, EN 55024: 2010 +A1: 2015); RCM (AS/NZS CISPR 32: 2015); IC (ICES-003: Issue 6, 2016)
	Safety	UL (UL 60950-1); CB (IEC 60950-1:2005 + Am 1:2009 + Am 2:2013); CE-LVD (EN 60950-1:2005 + Am 1:2009 + Am 2:2013)
Chemistry	CE-RoHS (2011/65/EU); WEEE (2012/19/EU); Reach (Regulation (EC) No 1907/2006)	

Physical Interface

Front panel:



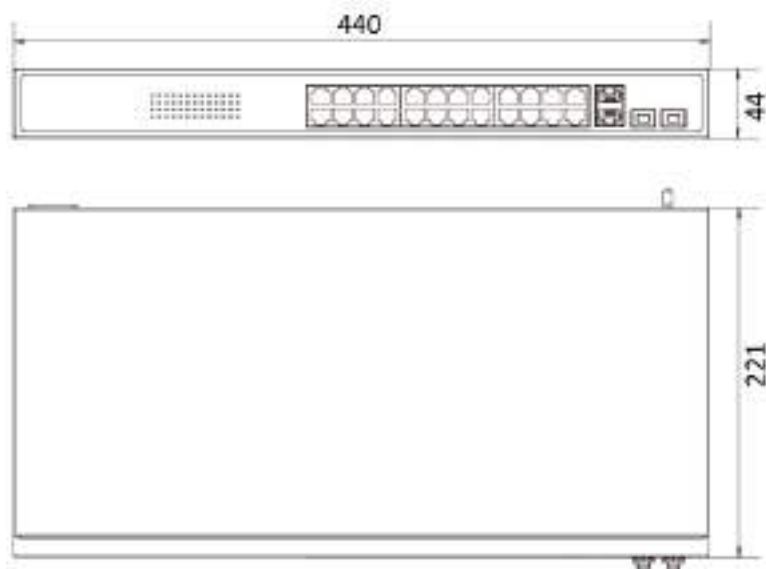
Rear panel:



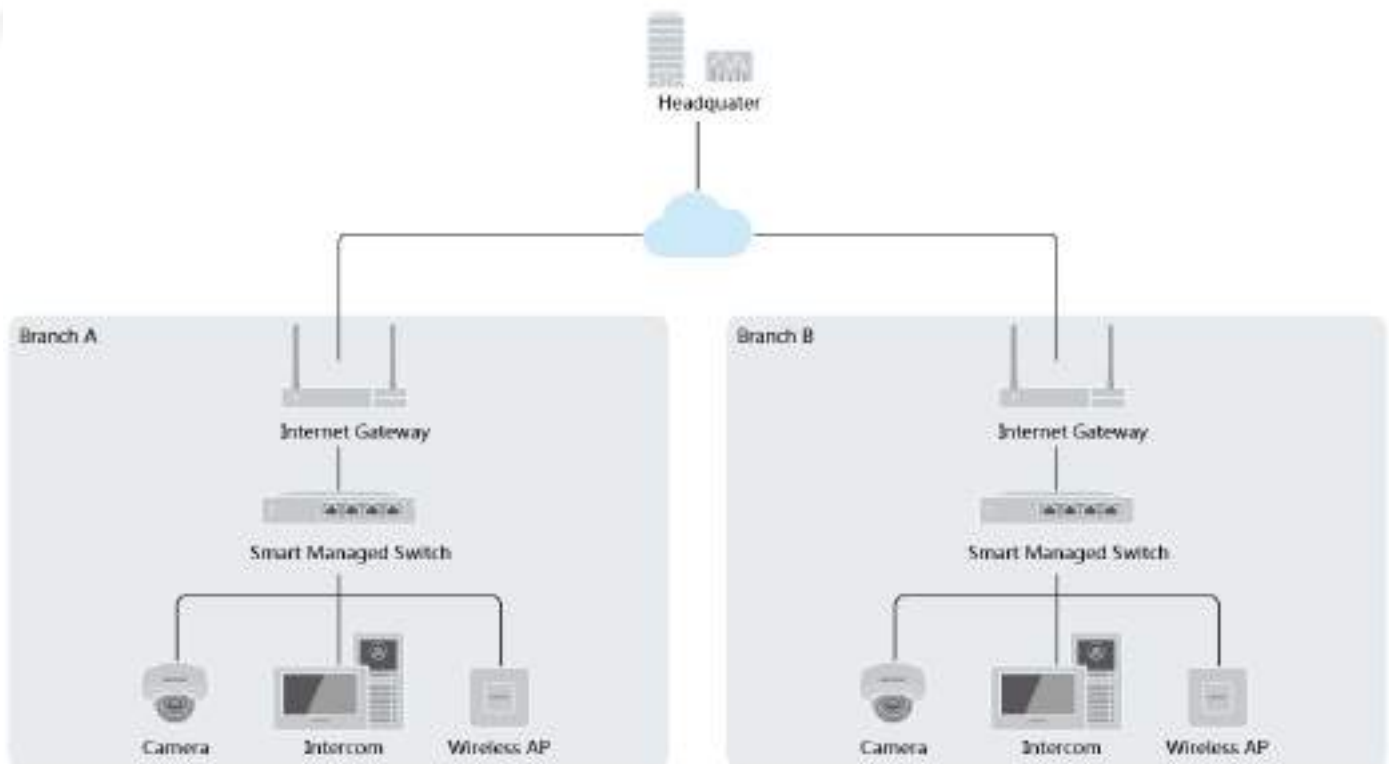
Available Model

DS-3E1326P-EI

Dimension (unit: mm)



Typical Application



Distributed by



Headquarters

No.355 Dianmo Road, Binjiang District,
Hangzhou 310051, China
T +86-571-8007-5998
overseas@business@hikvision.com

Hikvision USA
T +1-909-895-0900
sales.usa@hikvision.com

Hikvision Australia
T +61-2-8509-4233
sales.au@hikvision.com

Hikvision India
T +91-22-29469900
sales@pram@hikvision.com

Hikvision Canada
T +1-866-200-8280
sales.canada@hikvision.com

Hikvision Thailand
T +662-275-9948
sales.thailand@hikvision.com

Hikvision Europe
T +31-23-5542770
sales.eu@hikvision.com

Hikvision Italy
T +39-0438-6902
info.it@hikvision.com

Hikvision Brazil
T +55-11-3318-0950
Latin.support@hikvision.com

Hikvision Turkey
T +90-2181521 7070-7074
sales.tr@hikvision.com

Hikvision Malaysia
T +601-7652-2413
sales.my@hikvision.com

Hikvision UK & Ireland
T +01628-902100
sales.uk@hikvision.com

Hikvision South Africa
Tel: +27-31010951172
saafrica@hikvision.com

Hikvision France
T +3301-85-130-450
info.fr@hikvision.com

Hikvision Kazakhstan
T +7-727-9730667
nikia.pantlov@hikvision.kz

Hikvision Vietnam
T +84-974270998
sales.vi@hikvision.com

Hikvision UAE
T +971-4-6432090
sales.me@hikvision.com

Hikvision Singapore
T +65-6594-4718
sg@hikvision.com

Hikvision Spain
T +34-01-737-18-55
info.es@hikvision.com

Hikvision Tashkent
T +99-97-1038-9438
uzb@hikvision.ru

Hikvision Hong Kong
T +852-2151-1701
info.hk@hikvision.com

Hikvision Russia
T +7-495-690-67-99
sales.ru@hikvision.com

Hikvision Korea
T +82-1031-731-8817
sales.korea@hikvision.com

Hikvision Poland
T +48-22-460-01-50
wfs.pl@hikvision.com

Hikvision Indonesia
T +62-21-2933758
Sales.indonesia@hikvision.com

Hikvision Colombia
sales.colombia@hikvision.com