

CMP-JB



- Aluminum Alloy and Steel Material with Surface Spray Treatment
- Compatible with JBPW-L



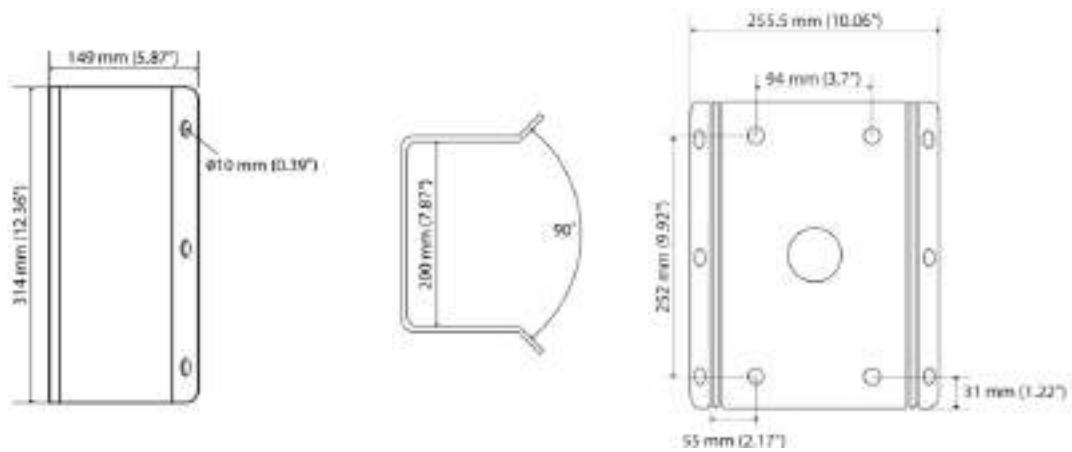
▪ Specification

Model		CMP-JB
Parameters	Weight	10.2 lbs (4.63 kg)
	Appearance	Hikvision white
	Material	Aluminum alloy and steel
	Dimension	12.36" x 10.06" x 5.87" (314 mm x 255.5 mm x 149 mm)

▪ Available Model

CMP-JB,CMP-JB(美国子公司),

▪ Dimension



Distributed by



HIKVISION

Headquarters

No.555 Qianmo Road, Binjiang District,
Hangzhou 310051, China
T +86-571-8907-5998
overseasbusiness@hikvision.com

Hikvision USA

T +1-909-885-0920
sales.usa@hikvision.com

Hikvision Australia

T +61-2-8589-4213
salesau@hikvision.com

Hikvision India

T +91-22-28409800
sales@premi@hikvision.com

Hikvision Canada

T +1-866-200-8660
sales.canada@hikvision.com

Hikvision Thailand

T +662-275-9949
sales.thailand@hikvision.com

Hikvision Europe

T +31-23-5542770
sales.eu@hikvision.com

Hikvision Italy

T +39-0438-6902
info.it@hikvision.com

Hikvision Brazil

T +55 11 3319-0050
latam.support@hikvision.com

Hikvision Turkey

T +90 216521 7070- 7074
sales.tr@hikvision.com

Hikvision Malaysia

T +601-7652-2413
sales.my@hikvision.com

Hikvision UK & Ireland

T +01526-802140
sales.uk@hikvision.com

Hikvision South Africa

Tel: +27 102 0351172
sale.africa@hikvision.com

Hikvision France

T +33011-86-330-460
info.fr@hikvision.com

Hikvision Kazakhstan

T +7-727-9730067
nikis.pantlov@hikvision.ru

Hikvision Vietnam

T +84-074270888
sales.vt@hikvision.com

Hikvision UAE

T +971-4-4452080
salesme@hikvision.com

Hikvision Singapore

T +65-6884-4718
sg@hikvision.com

Hikvision Spain

T +34-91-737-16-55
info.es@hikvision.com

Hikvision Tashkent

T +99-67-1238-8430
uzb@hikvision.ru

Hikvision Hong Kong

T +852-2151-1761
info.hk@hikvision.com

Hikvision Russia

T +7-495-659-87-99
salesru@hikvision.com

Hikvision Korea

T +82-1031-733-8617
sales.korea@hikvision.com

Hikvision Poland

T +48-22-460-01-50
info.pl@hikvision.com

Hikvision Indonesia

T +62-21-2933759
Sales.Indonesia@hikvision.com

Hikvision Colombia

sales.colombia@hikvision.com