

Network Video Recorder

NVR304-E2 Series



Key Features

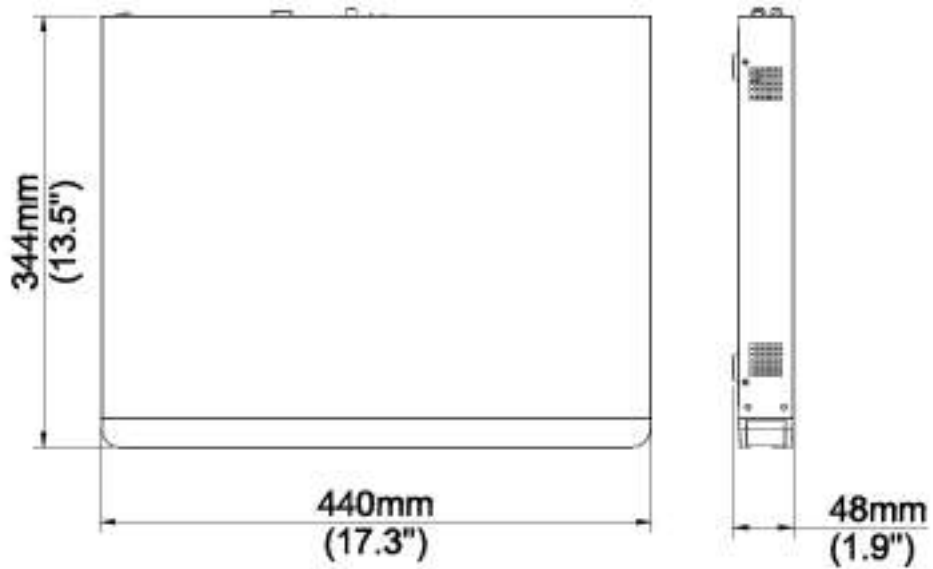
- Support Ultra H.265/H.265/H.264 video formats
- 16/32-channel input
- Supports mainstream cameras of ONVIF conformance(Profile S, Profile G, Profile T) and RTSP protocols
- Support 1-ch HDMI, 1-ch VGA. HDMI up to 4K (3840x2160) resolution
- HDMI and VGA independent outputs provided
- Up to 12 Megapixels resolution recording
- 4 SATA HDDs, Up to 8TB for each HDD
- Support RAID 1, 5
- Various fisheye dewarping modes for live view and playback for both web interface and GUI
- ANR technology to enhance the storage reliability when the network is disconnected
- Support cloud upgrade

Specifications

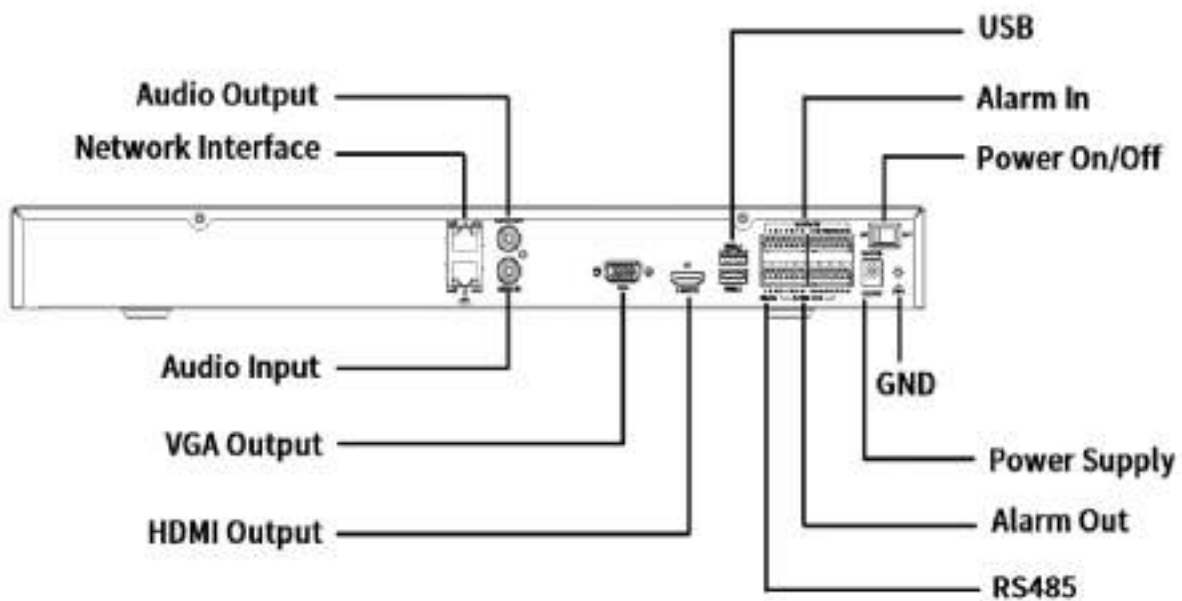
| Model | NVR304-16E2 | NVR304-32E2 |
|-----------------------------|--|--|
| Video/Audio Input | | |
| IP Video Input | 16-ch | 32-ch |
| Two-way Audio Input | 1-ch, RCA | |
| Network | | |
| Incoming Bandwidth | 320Mbps | |
| Outgoing Bandwidth | 320Mbps | |
| Remote Users | 128 | |
| Protocols | TCP/IP, P2P, UPnP, NTP, DHCP, PPPoE, HTTP, HTTPS, DNS, DDNS, SNMP, SMTP, NFS | |
| Browser | IE(IE10/11) for Windows Firefox (version 52.0 and above) for Windows Chrome(version 45 and above) for Windows Edge(version 79 and above) for Windows | |
| Video/Audio Output | | |
| HDMI/VGA Output | VGA: 1920x1080p/60Hz, 1920x1080p/50Hz, 1600x1200/60Hz, 1280x1024/60Hz, 1280x720/60Hz, 1024x768/60Hz HDMI: 4K (3840x2160)/30Hz, 1920x1080p/60Hz, 1920x1080p/50Hz, 1280x1024/60Hz, 1280x720/60Hz, 1024x768/60Hz | |
| Recording Resolution | 12MP/8MP/6MP/5MP/4MP/3MP/1080p/960p/720p/D1/2CIF/CIF | |
| Audio Output | 1-ch, RCA | |
| Audio Compression | G.711A, G.711U | |
| Synchronous Playback | 16-ch | |
| Live View Display | 1/4/6/8/9/16 | 1/4/6/8/9/16/25/36 |
| Corridor Mode Screen | 3/4/5/7/9/10/12/16 | 3/4/5/7/9/10/12/16/32 |
| Snapshot | | |
| FTP/Schedule/Event Snapshot | 16-ch snapshot, up to 1080P resolution | |
| Decoding | | |
| Decoding Format | Ultra 265, H.265, H.264 | |
| Live View/Playback | 12MP/8MP/6MP/5MP/4MP/3MP/1080p/960p/720p/D1/2CIF/CIF | |
| Capability | 1 x 12MP@30, 2 x 4K@30, 5 x 4MP@30, 10 x 1080P@30, 16 x 720P@30 | 1 x 12MP@30, 2 x 4K@30, 5 x 4MP@30, 10 x 1080P@30, 22 x 720P@30, 32 x D1 |
| Hard Disk | | |
| SATA | 4 SATA interfaces | |
| Capacity | Up to 8TB for each disk (The maximum HDD capacity varies with environment temperature) | |
| eSATA | NA | |
| Disk Group | Support | |
| RAID | RAID 1,5 | |
| Smart | | |

| | |
|---|---|
| VCA Detection by Camera | Intrusion Detection, Cross Line Detection, Enter Area, Leave Area, Defocus Detection, Scene Change Detection, Object Left Behind, Object Removed, Auto Tracking |
| VCA Search | Behavior Search, Vehicle Search |
| People Counting | People Flow Counting, Crowd Density Monitoring |
| Smart Intrusion Prevention (SIP), Vehicle Detection by Camera | Total 8-ch |
| General Alarm | |
| General Alarm | Motion, Tampering, Human Body Detection, Video Loss, Input Alarm, Audio Detection |
| Alert Alarm | IP Conflict, Network Disconnected, Disk Offline, Disk Abnormal, Illegal Access, Hard Disk Space Low, Hard Disk Full, Recording/Snapshot Abnormal |
| External Interface | |
| Network Interface | 2 RJ45 10M/100M/1000M self-adaptive Ethernet Interfaces |
| USB Interface | Front panel: 1 x USB2.0, Rear panel: 1 x USB2.0 1 x USB3.0 |
| RS232 | NA |
| RS485 | 1 |
| Alarm In | 16-ch |
| Alarm Out | 4-ch |
| General | |
| Power Supply | 12V DC/5A Power Consumption: ≤ 12 W (without HDD) |
| Working Environment | -10°C~+ 55°C (+14°F~+131°F), Humidity ≤ 90% RH (non-condensing) |
| Dimensions (W×D×H) | 440mm × 344mm × 48mm (17.3" × 13.5" × 1.9") |
| Weight (without HDD) | ≤3Kg (6.61lb) |
| Certification | |
| Certification | CE, FCC, UL, RoHS, WEEE |
| CE | EN 55032: 2015, EN 61000-3-3: 2013, EN IEC 61000-3-2: 2019, EN 55035: 2017 |
| FCC | Part15 Subpart B, ANSI C63.4 |

Dimensions



Rear Panel



Zhejiang Uniview Technologies Co., Ltd.

Building No.10, Wanlun Science Park, Jiangling Road 88, Binjiang District, Hangzhou, Zhejiang, China

Email: overseasbusiness@uniview.com; globalsupport@uniview.com

<http://www.uniview.com>

©2022 Zhejiang Uniview Technologies Co., Ltd. All rights reserved.

* Product specifications and availability are subject to change without notice.